

NORSCAFF

SCAFFOLDING & ACCESS

ALUMINIUM TOWERS

PRODUCTS:

- SINGLE WIDTH
- DOUBLE WIDTH
- FOLDING TOWERS

Contact Us :

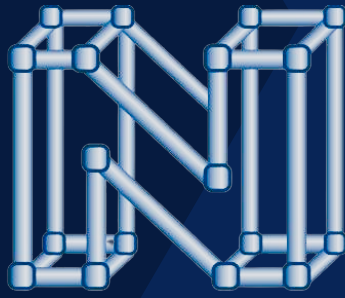


+44 28 8776 7126



NORSCAFFSALES@HOTMAIL.CO.UK





NORSCAFF

SCAFFOLDING & ACCESS

SINGLE WIDTH TOWERS



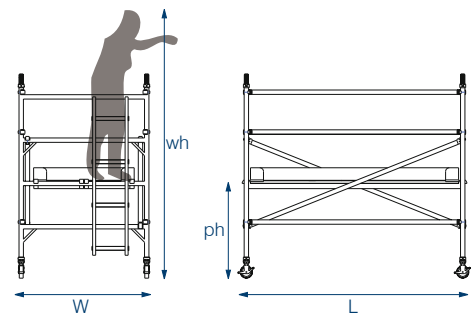
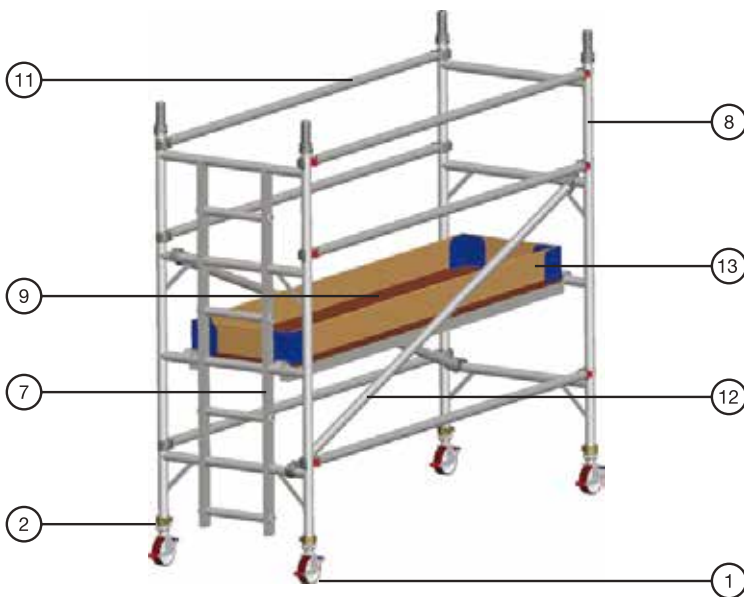
Single Width Tower
1.8m Long x 0.85m wide

Working Height
3.2m

Platform Height
1.2m

Tower Components

Item	Description	Quantity
1	150mm Locking Castor	4
2	Adjustable Leg 500mm	4
3	2 rung Ladder Frame	0
4	2 rung Span Frame	0
5	3 rung Ladder Frame	0
6	3 rung Span Frame	0
7	4 rung Ladder Frame	1
8	4 rung Span Frame	1
9	1.8m Trapdoor Platform	1
10	Standard Platform	0
11	1.8m Horizontal Brace	6
12	2.1m Diagonal Brace	2
13	Complete Toe Board Set	1
14	Standard Stabilisers	0
15	Jumbo Stabilisers	0
16	Instruction Manual & BSEN1004 certificate of conformity	1



Technical Information

Base Dimensions:	(L)1.8m X (W)0.85m
Maximum Platform Height (ph):	1.2m
Maximum Working Height (wh):	3.2m
Maximum Working Load Per Platform:	275kg
Maximum Working Load Per Tower: (including tower weight)	950kg
Weight:	74kg

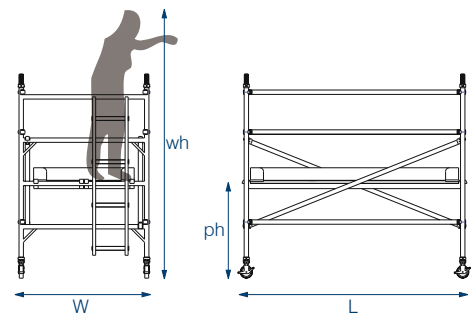
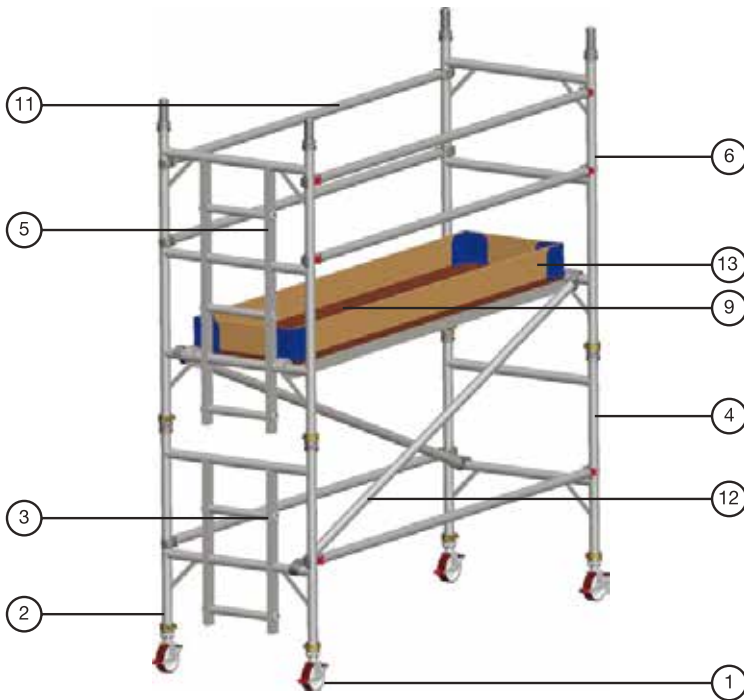
Single Width Tower
1.8m Long x 0.85m wide

Working Height
3.7m

Platform Height
1.7m

Tower Components

Item	Description	Quantity
1	150mm Locking Castor	4
2	Adjustable Leg 500mm	4
3	2 rung Ladder Frame	1
4	2 rung Span Frame	1
5	3 rung Ladder Frame	1
6	3 rung Span Frame	1
7	4 rung Ladder Frame	0
8	4 rung Span Frame	0
9	1.8m Trapdoor Platform	1
10	Standard Platform	0
11	1.8m Horizontal Brace	6
12	2.1m Diagonal Brace	3
13	Complete Toe Board Set	1
14	Standard Stabilisers	0
15	Jumbo Stabilisers	0
16	Instruction Manual & BSEN1004 certificate of conformity	1



Technical Information

Base Dimensions:	(L)1.8m X (W)0.85m
Maximum Platform Height (ph):	1.7m
Maximum Working Height (wh):	3.7m
Maximum Working Load Per Platform:	275kg
Maximum Working Load Per Tower: (including tower weight)	950kg
Weight:	77kg

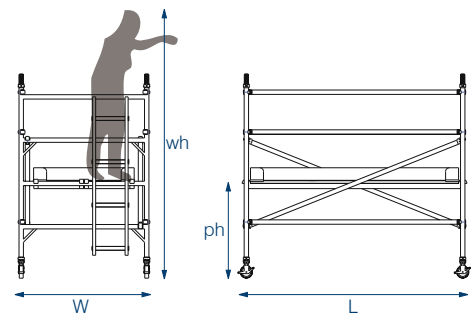
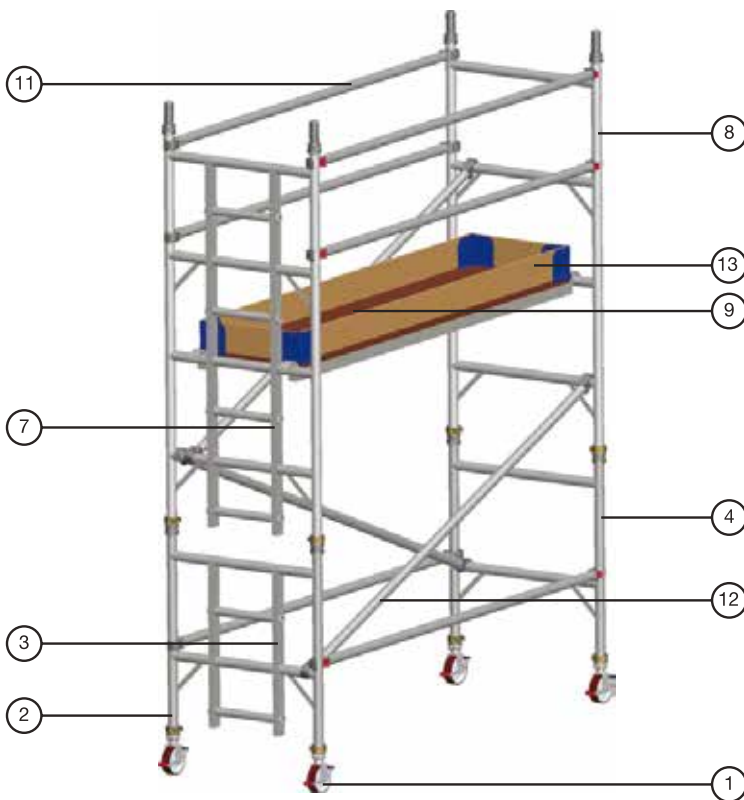
Single Width Tower
1.8m Long x 0.85m wide

Working Height
4.2m

Platform Height
2.2m

Tower Components

Item	Description	Quantity
1	150mm Locking Castor	4
2	Adjustable Leg 500mm	4
3	2 rung Ladder Frame	1
4	2 rung Span Frame	1
5	3 rung Ladder Frame	0
6	3 rung Span Frame	0
7	4 rung Ladder Frame	1
8	4 rung Span Frame	1
9	1.8m Trapdoor Platform	1
10	Standard Platform	0
11	1.8m Horizontal Brace	6
12	2.1m Diagonal Brace	3
13	Complete Toe Board Set	1
14	Standard Stabilisers	4
15	Jumbo Stabilisers	0
16	Instruction Manual & BSEN1004 certificate of conformity	1



Technical Information

Base Dimensions:	(L)1.8m X (W)0.85m
Maximum Platform Height (ph):	2.2m
Maximum Working Height (wh):	4.2m
Maximum Working Load Per Platform:	275kg
Maximum Working Load Per Tower: (including tower weight)	950kg
Weight:	101kg

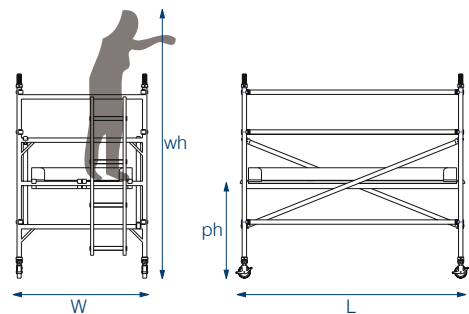
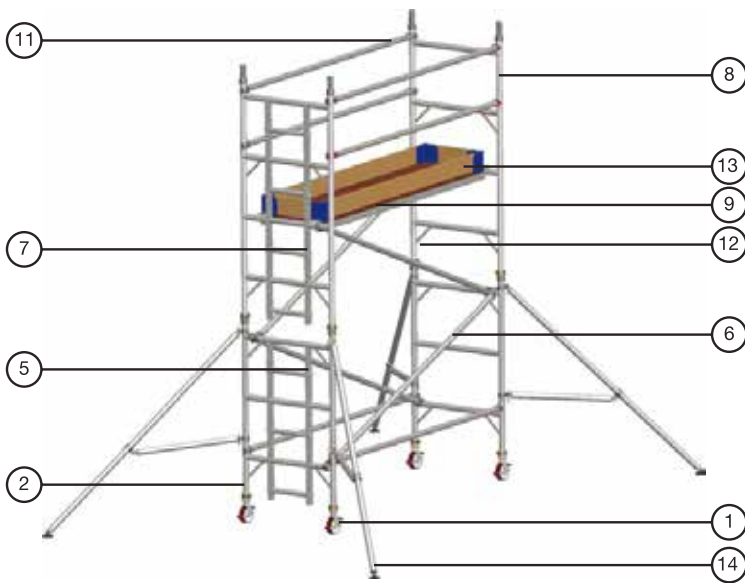
Single Width Tower
1.8m Long x 0.85m wide

Working Height
4.7m

Platform Height
2.7m

Tower Components

Item	Description	Quantity
1	150mm Locking Castor	4
2	Adjustable Leg 500mm	4
3	2 rung Ladder Frame	0
4	2 rung Span Frame	0
5	3 rung Ladder Frame	1
6	3 rung Span Frame	1
7	4 rung Ladder Frame	1
8	4 rung Span Frame	1
9	1.8m Trapdoor Platform	1
10	Standard Platform	0
11	1.8m Horizontal Brace	6
12	2.1m Diagonal Brace	4
13	Complete Toe Board Set	1
14	Standard Stabilisers	4
15	Jumbo Stabilisers	0
16	Instruction Manual & BSEN1004 certificate of conformity	1



Technical Information

Base Dimensions:	(L)1.8m X (W)0.85m
Maximum Platform Height (ph):	2.7m
Maximum Working Height (wh):	4.7m
Maximum Working Load Per Platform:	275kg
Maximum Working Load Per Tower: (including tower weight)	950kg
Weight:	107kg

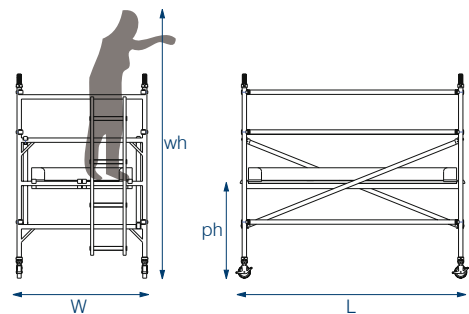
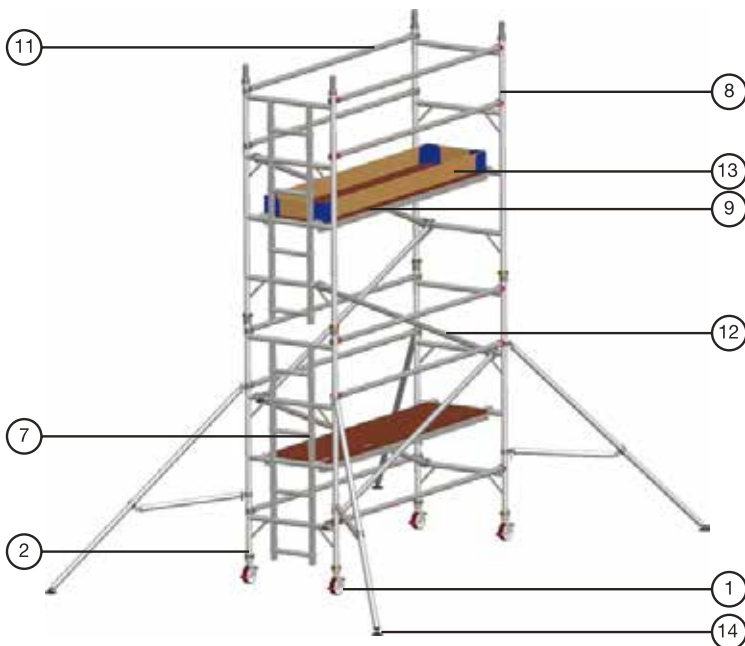
Single Width Tower
1.8m Long x 0.85m wide

Working Height
5.2m

Platform Height
3.2m

Tower Components

Item	Description	Quantity
1	150mm Locking Castor	4
2	Adjustable Leg 500mm	4
3	2 rung Ladder Frame	0
4	2 rung Span Frame	0
5	3 rung Ladder Frame	0
6	3 rung Span Frame	0
7	4 rung Ladder Frame	2
8	4 rung Span Frame	2
9	1.8m Trapdoor Platform	2
10	Standard Platform	0
11	1.8m Horizontal Brace	10
12	2.1m Diagonal Brace	5
13	Complete Toe Board Set	1
14	Standard Stabilisers	4
15	Jumbo Stabilisers	0
16	Instruction Manual & BSEN1004 certificate of conformity	1



Technical Information

Base Dimensions:	(L)1.8m X (W)0.85m
Maximum Platform Height (ph):	3.2m
Maximum Working Height (wh):	5.2m
Maximum Working Load Per Platform:	275kg
Maximum Working Load Per Tower: (including tower weight)	950kg
Weight:	138kg

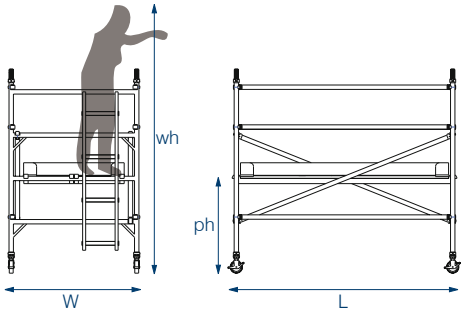
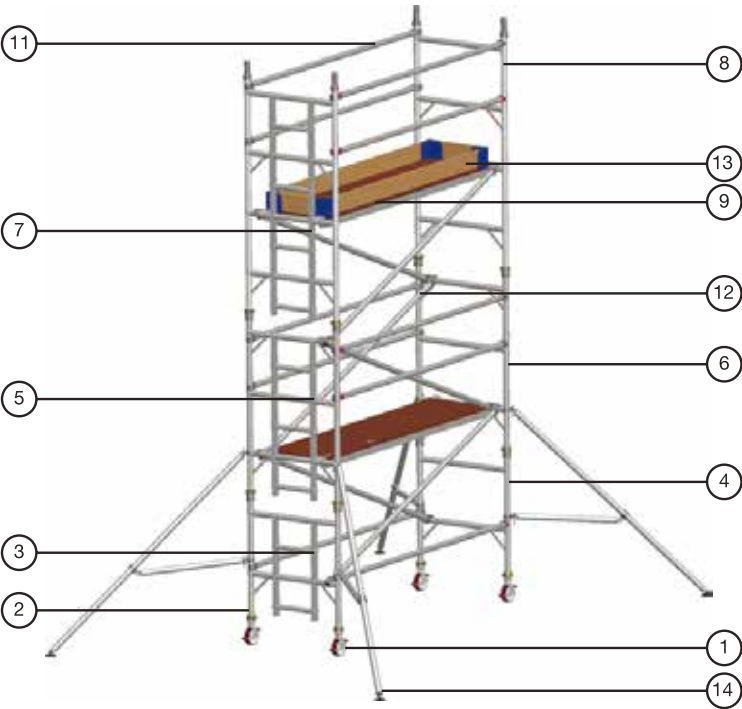
Single Width Tower
1.8m Long x 0.85m wide

Working Height
5.7m

Platform Height
3.7m

Tower Components

Item	Description	Quantity
1	150mm Locking Castor	4
2	Adjustable Leg 500mm	4
3	2 rung Ladder Frame	1
4	2 rung Span Frame	1
5	3 rung Ladder Frame	1
6	3 rung Span Frame	1
7	4 rung Ladder Frame	1
8	4 rung Span Frame	1
9	1.8m Trapdoor Platform	2
10	Standard Platform	0
11	1.8m Horizontal Brace	10
12	2.1m Diagonal Brace	6
13	Complete Toe Board Set	1
14	Standard Stabilisers	4
15	Jumbo Stabilisers	0
16	Instruction Manual & BSEN1004 certificate of conformity	1



Technical Information

Base Dimensions:	(L)1.8m X (W)0.85m
Maximum Platform Height (ph):	3.7m
Maximum Working Height (wh):	5.7m
Maximum Working Load Per Platform:	275kg
Maximum Working Load Per Tower: (including tower weight)	950kg
Weight:	148kg

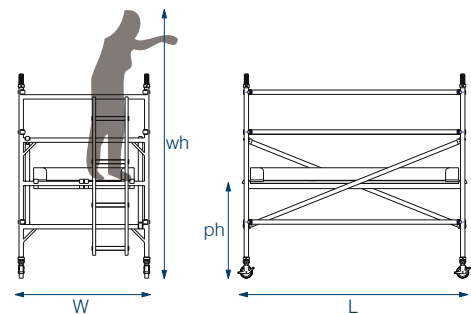
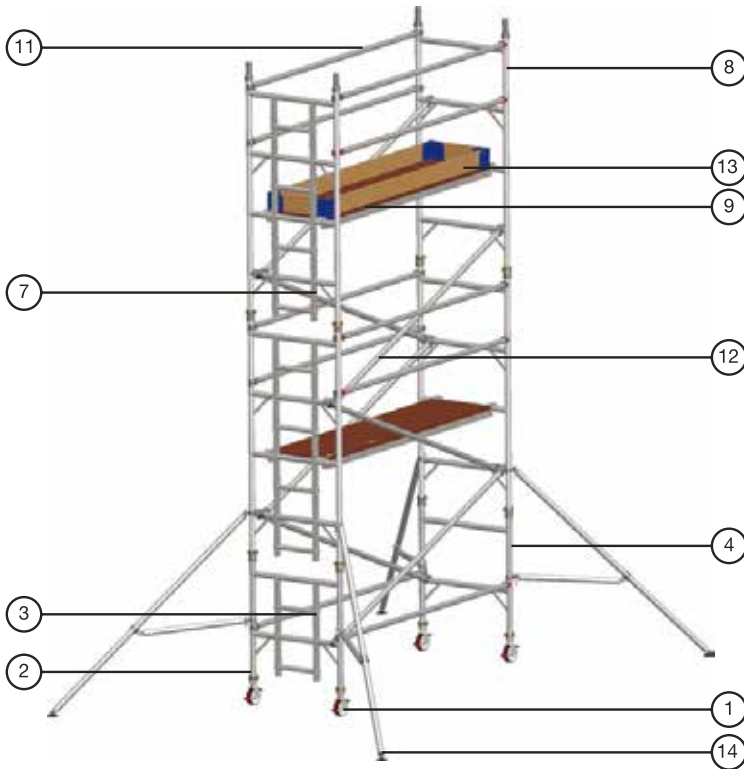
Single Width Tower
1.8m Long x 0.85m wide

Working Height
6.2m

Platform Height
4.2m

Tower Components

Item	Description	Quantity
1	150mm Locking Castor	4
2	Adjustable Leg 500mm	4
3	2 rung Ladder Frame	1
4	2 rung Span Frame	1
5	3 rung Ladder Frame	0
6	3 rung Span Frame	0
7	4 rung Ladder Frame	2
8	4 rung Span Frame	2
9	1.8m Trapdoor Platform	2
10	Standard Platform	0
11	1.8m Horizontal Brace	10
12	2.1m Diagonal Brace	7
13	Complete Toe Board Set	1
14	Standard Stabilisers	4
15	Jumbo Stabilisers	0
16	Instruction Manual & BSEN1004 certificate of conformity	1



Technical Information

Base Dimensions:	(L)1.8m X (W)0.85m
Maximum Platform Height (ph):	4.2m
Maximum Working Height (wh):	6.2m
Maximum Working Load Per Platform:	275kg
Maximum Working Load Per Tower: (including tower weight)	950kg
Weight:	151kg

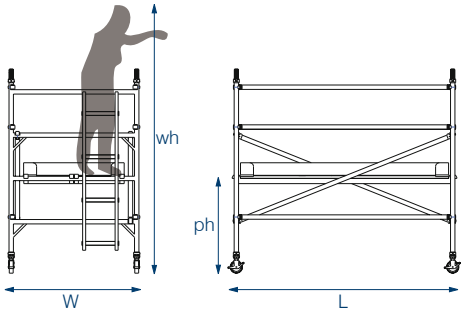
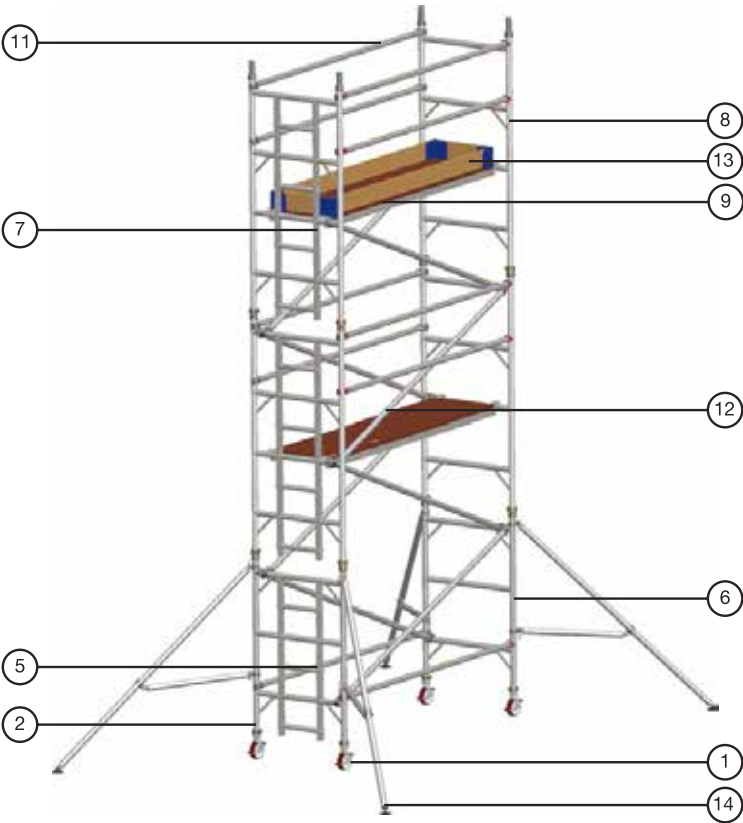
Single Width Tower
1.8m Long x 0.85m wide

Working Height
6.7m

Platform Height
4.7m

Tower Components

Item	Description	Quantity
1	150mm Locking Castor	4
2	Adjustable Leg 500mm	4
3	2 rung Ladder Frame	0
4	2 rung Span Frame	0
5	3 rung Ladder Frame	1
6	3 rung Span Frame	1
7	4 rung Ladder Frame	2
8	4 rung Span Frame	2
9	1.8m Trapdoor Platform	2
10	Standard Platform	0
11	1.8m Horizontal Brace	10
12	2.1m Diagonal Brace	8
13	Complete Toe Board Set	1
14	Standard Stabilisers	4
15	Jumbo Stabilisers	0
16	Instruction Manual & BSEN1004 certificate of conformity	1



Technical Information

Base Dimensions:	(L)1.8m X (W)0.85m
Maximum Platform Height (ph):	4.7m
Maximum Working Height (wh):	6.7m
Maximum Working Load Per Platform:	275kg
Maximum Working Load Per Tower: (including tower weight)	950kg
Weight:	180kg

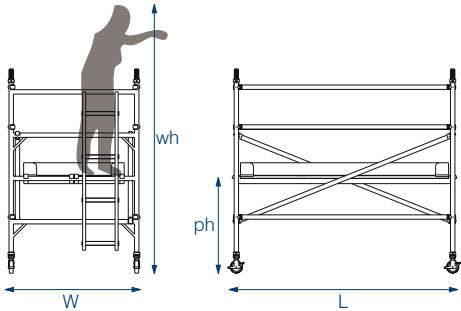
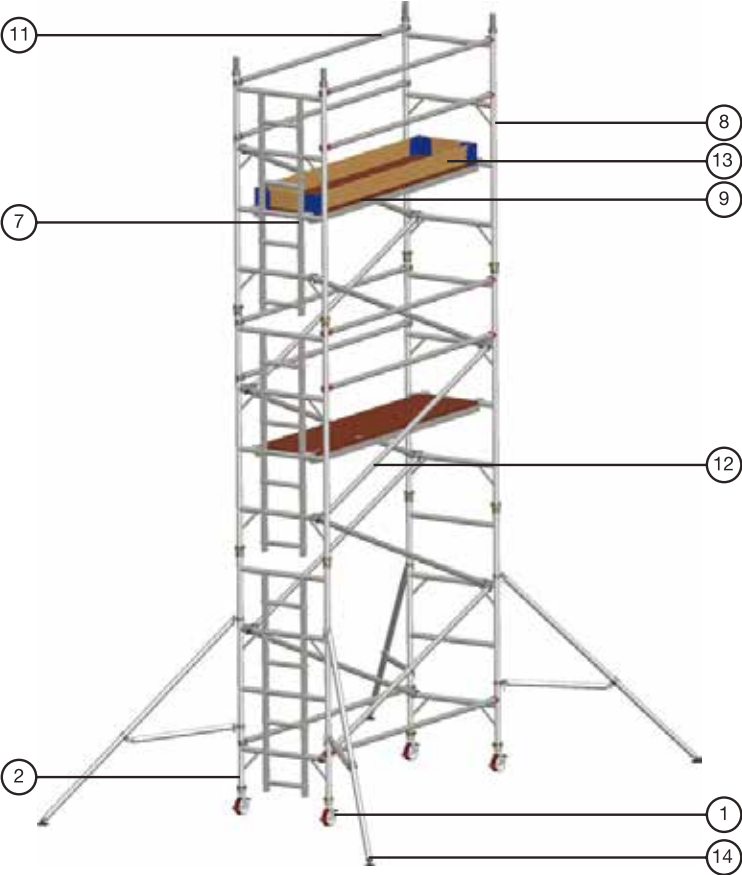
Single Width Tower
1.8m Long x 0.85m wide

Working Height
7.2m

Platform Height
5.2m

Tower Components

Item	Description	Quantity
1	150mm Locking Castor	4
2	Adjustable Leg 500mm	4
3	2 rung Ladder Frame	0
4	2 rung Span Frame	0
5	3 rung Ladder Frame	0
6	3 rung Span Frame	0
7	4 rung Ladder Frame	3
8	4 rung Span Frame	3
9	1.8m Trapdoor Platform	2
10	Standard Platform	0
11	1.8m Horizontal Brace	10
12	2.1m Diagonal Brace	9
13	Complete Toe Board Set	1
14	Standard Stabilisers	4
15	Jumbo Stabilisers	0
16	Instruction Manual & BSEN1004 certificate of conformity	1



Technical Information

Base Dimensions:	(L)1.8m X (W)0.85m
Maximum Platform Height (ph):	5.2m
Maximum Working Height (wh):	7.2m
Maximum Working Load Per Platform:	275kg
Maximum Working Load Per Tower: (including tower weight)	950kg
Weight:	167kg

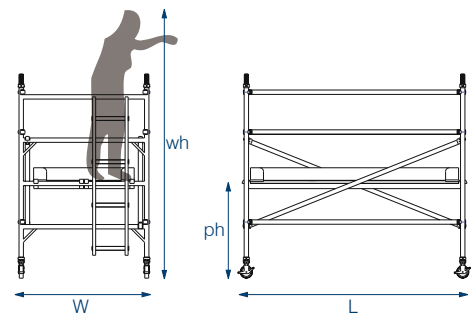
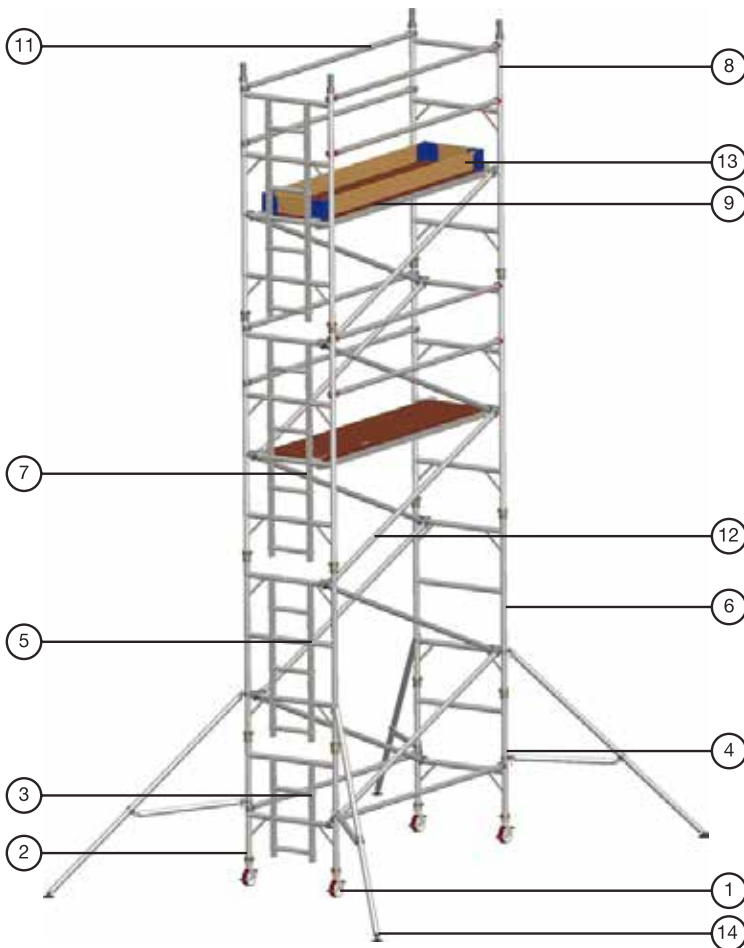
Single Width Tower
1.8m Long x 0.85m wide

Working Height
7.7m

Platform Height
5.7m

Tower Components

Item	Description	Quantity
1	150mm Locking Castor	4
2	Adjustable Leg 500mm	4
3	2 rung Ladder Frame	1
4	2 rung Span Frame	1
5	3 rung Ladder Frame	1
6	3 rung Span Frame	1
7	4 rung Ladder Frame	2
8	4 rung Span Frame	2
9	1.8m Trapdoor Platform	2
10	Standard Platform	0
11	1.8m Horizontal Brace	10
12	2.1m Diagonal Brace	10
13	Complete Toe Board Set	1
14	Standard Stabilisers	4
15	Jumbo Stabilisers	0
16	Instruction Manual & BSEN1004 certificate of conformity	1



Technical Information

Base Dimensions:	(L)1.8m X (W)0.85m
Maximum Platform Height (ph):	5.7m
Maximum Working Height (wh):	7.7m
Maximum Working Load Per Platform:	275kg
Maximum Working Load Per Tower: (including tower weight)	950kg
Weight:	178kg

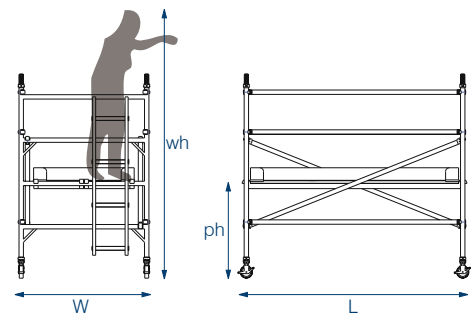
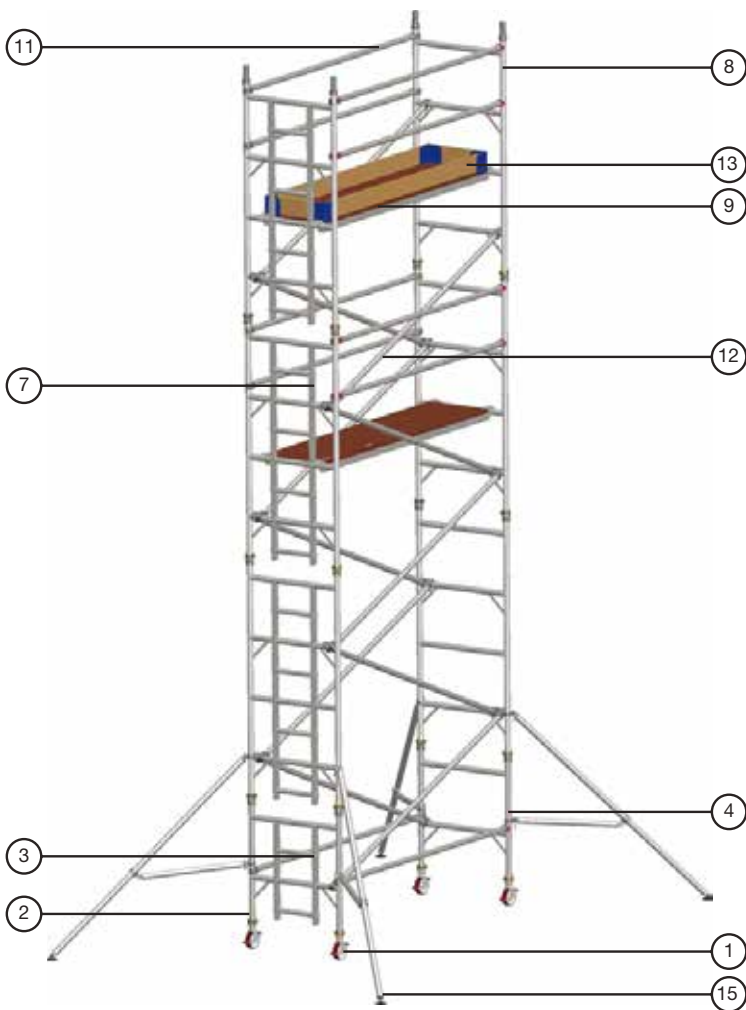
Single Width Tower
1.8m Long x 0.85m wide

Working Height
8.2m

Platform Height
6.2m

Tower Components

Item	Description	Quantity
1	150mm Locking Castor	4
2	Adjustable Leg 500mm	4
3	2 rung Ladder Frame	1
4	2 rung Span Frame	1
5	3 rung Ladder Frame	0
6	3 rung Span Frame	0
7	4 rung Ladder Frame	3
8	4 rung Span Frame	3
9	1.8m Trapdoor Platform	2
10	Standard Platform	0
11	1.8m Horizontal Brace	10
12	2.1m Diagonal Brace	11
13	Complete Toe Board Set	1
14	Standard Stabilisers	0
15	Jumbo Stabilisers	4
16	Instruction Manual & BSEN1004 certificate of conformity	1



Technical Information

Base Dimensions:	(L)1.8m X (W)0.85m
Maximum Platform Height (ph):	6.2m
Maximum Working Height (wh):	8.2m
Maximum Working Load Per Platform:	275kg
Maximum Working Load Per Tower: (including tower weight)	950kg
Weight:	180kg

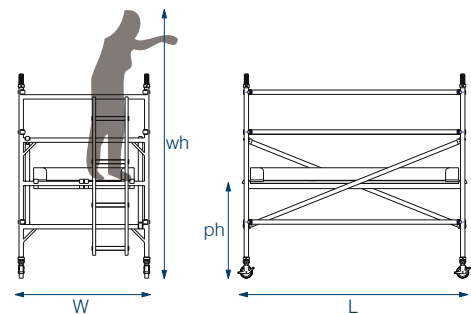
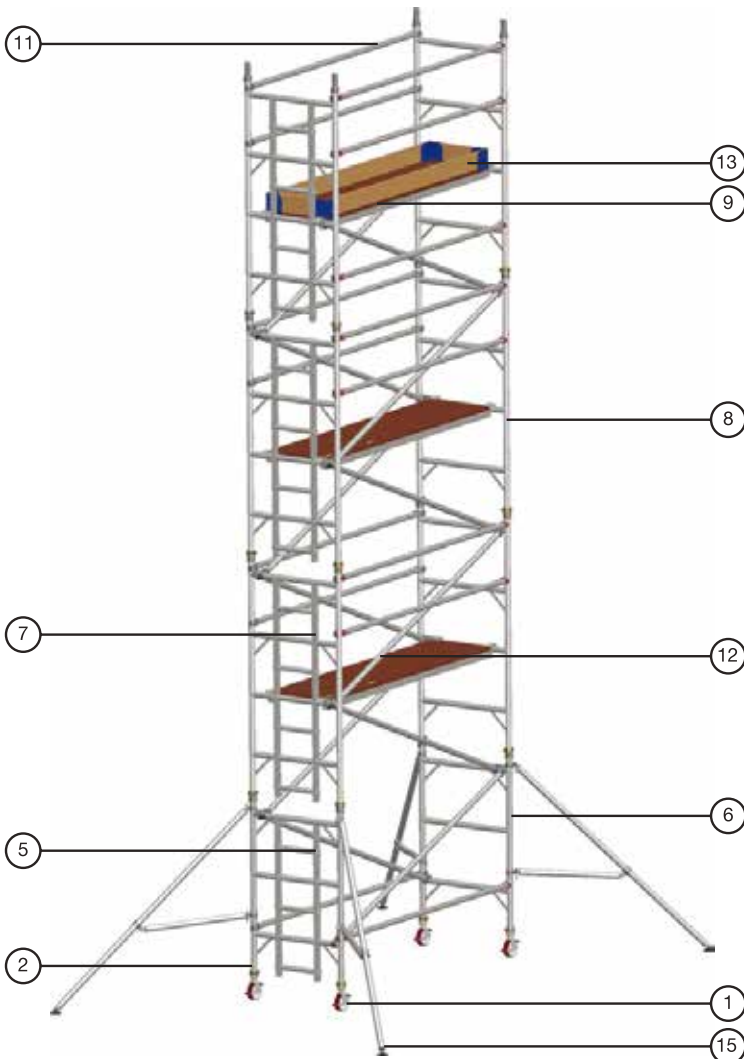
Single Width Tower
1.8m Long x 0.85m wide

Working Height
8.7m

Platform Height
6.7m

Tower Components

Item	Description	Quantity
1	150mm Locking Castor	4
2	Adjustable Leg 500mm	4
3	2 rung Ladder Frame	0
4	2 rung Span Frame	0
5	3 rung Ladder Frame	1
6	3 rung Span Frame	1
7	4 rung Ladder Frame	3
8	4 rung Span Frame	3
9	1.8m Trapdoor Platform	3
10	Standard Platform	0
11	1.8m Horizontal Brace	14
12	2.1m Diagonal Brace	12
13	Complete Toe Board Set	1
14	Standard Stabilisers	0
15	Jumbo Stabilisers	4
16	Instruction Manual & BSEN1004 certificate of conformity	1



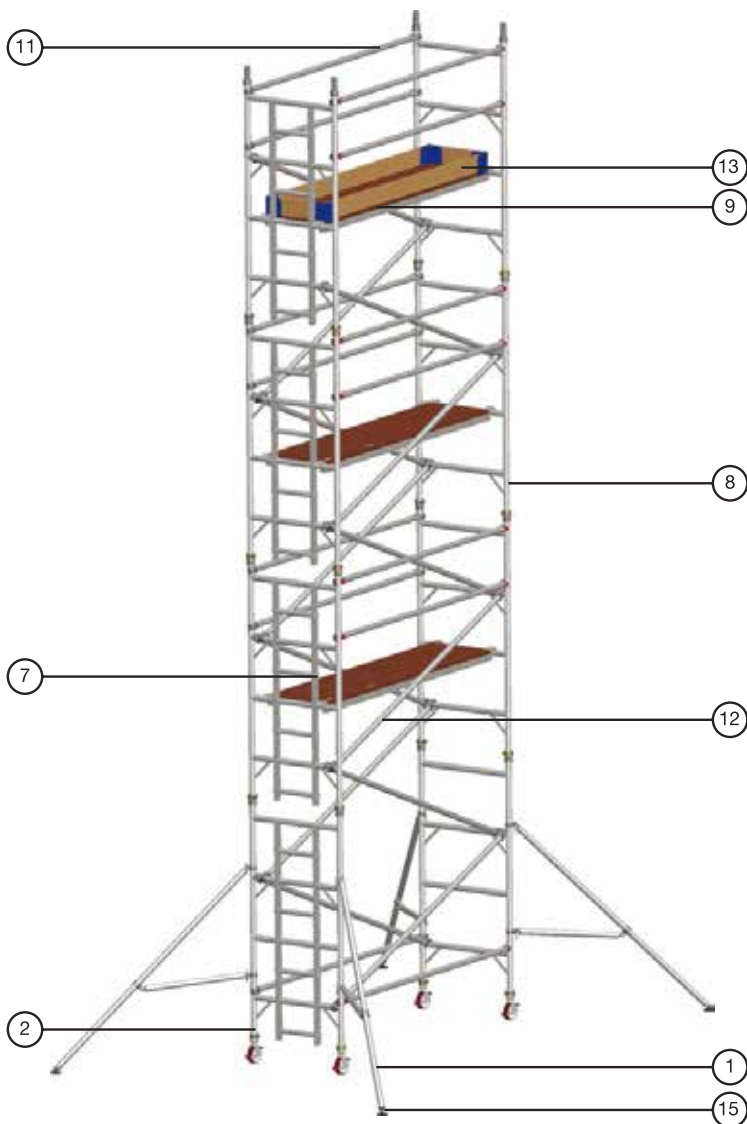
Technical Information

Base Dimensions:	(L)1.8m X (W)0.85m
Maximum Platform Height (ph):	6.7m
Maximum Working Height (wh):	8.7m
Maximum Working Load Per Platform:	275kg
Maximum Working Load Per Tower: (including tower weight)	950kg
Weight:	215kg

Single Width Tower
1.8m Long x 0.85m wide

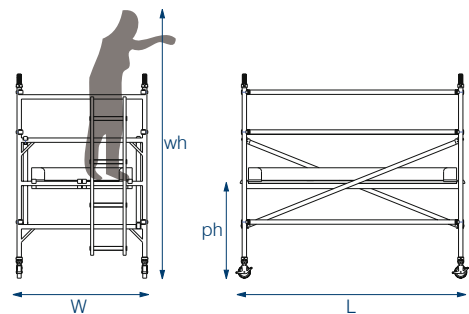
Working Height
9.2m

Platform Height
7.2m



Tower Components

Item	Description	Quantity
1	150mm Locking Castor	4
2	Adjustable Leg 500mm	4
3	2 rung Ladder Frame	0
4	2 rung Span Frame	0
5	3 rung Ladder Frame	0
6	3 rung Span Frame	0
7	4 rung Ladder Frame	4
8	4 rung Span Frame	4
9	1.8m Trapdoor Platform	3
10	Standard Platform	0
11	1.8m Horizontal Brace	14
12	2.1m Diagonal Brace	13
13	Complete Toe Board Set	1
14	Standard Stabilisers	0
15	Jumbo Stabilisers	4
16	Instruction Manual & BSEN1004 certificate of conformity	1



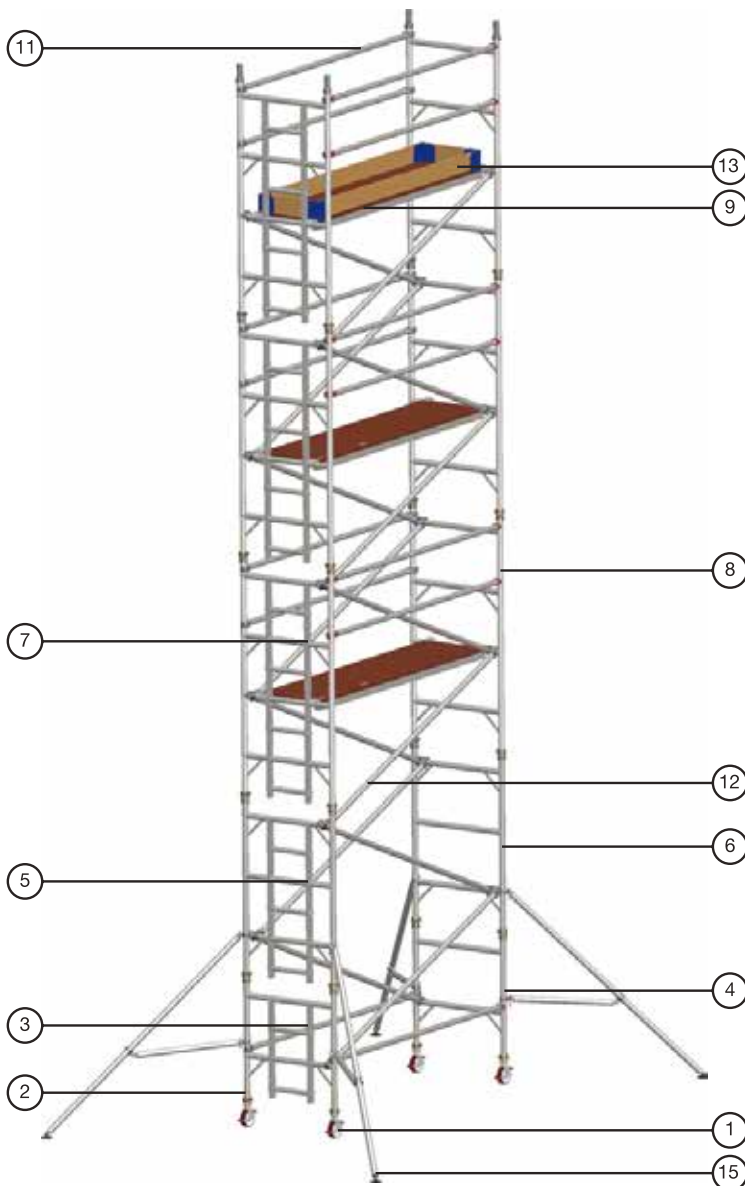
Technical Information

Base Dimensions:	(L)1.8m X (W)0.85m
Maximum Platform Height (ph):	7.2m
Maximum Working Height (wh):	9.2m
Maximum Working Load Per Platform:	275kg
Maximum Working Load Per Tower: (including tower weight)	950kg
Weight:	252kg

Single Width Tower
1.8m Long x 0.85m wide

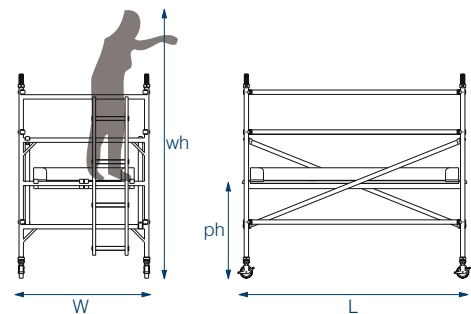
Working Height
9.7m

Platform Height
7.7m



Tower Components

Item	Description	Quantity
1	150mm Locking Castor	4
2	Adjustable Leg 500mm	4
3	2 rung Ladder Frame	1
4	2 rung Span Frame	1
5	3 rung Ladder Frame	1
6	3 rung Span Frame	1
7	4 rung Ladder Frame	3
8	4 rung Span Frame	3
9	1.8m Trapdoor Platform	3
10	Standard Platform	0
11	1.8m Horizontal Brace	14
12	2.1m Diagonal Brace	14
13	Complete Toe Board Set	1
14	Standard Stabilisers	0
15	Jumbo Stabilisers	4
16	Instruction Manual & BSEN1004 certificate of conformity	1



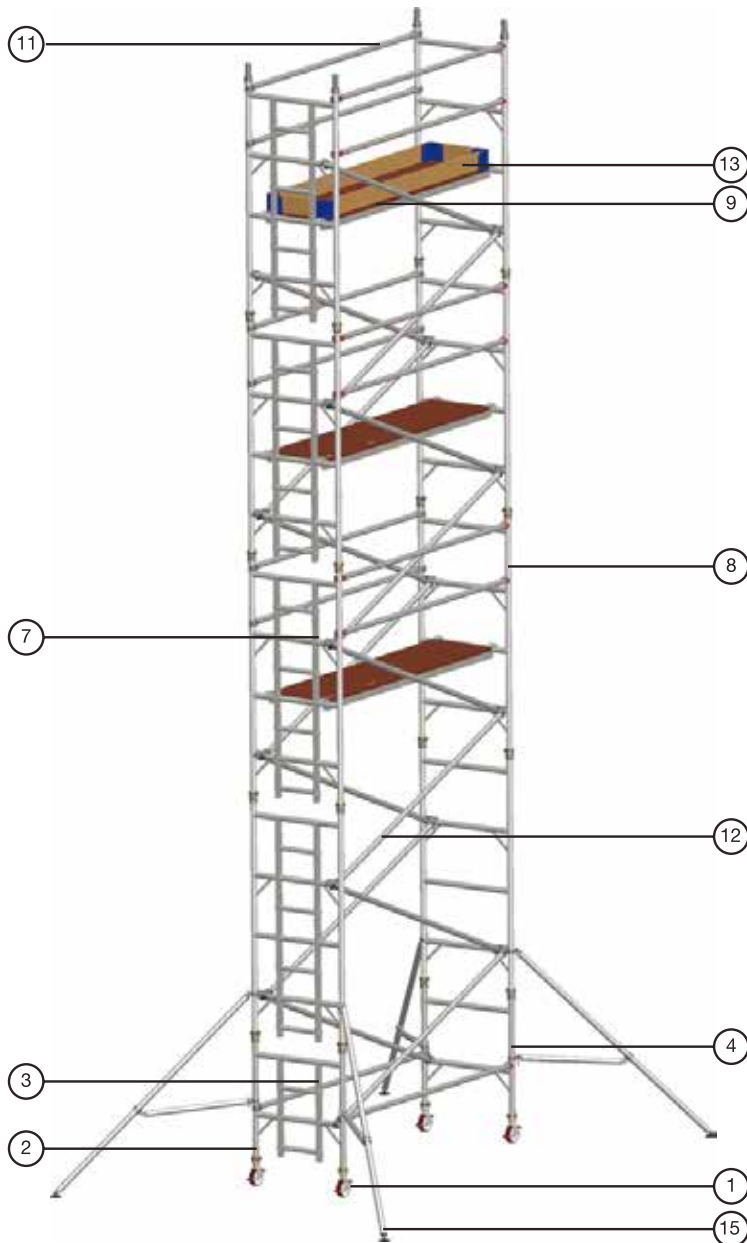
Technical Information

Base Dimensions:	(L)1.8m X (W)0.85m
Maximum Platform Height (ph):	7.7m
Maximum Working Height (wh):	9.7m
Maximum Working Load Per Platform:	275kg
Maximum Working Load Per Tower: (including tower weight)	950kg
Weight:	286kg

Single Width Tower
1.8m Long x 0.85m wide

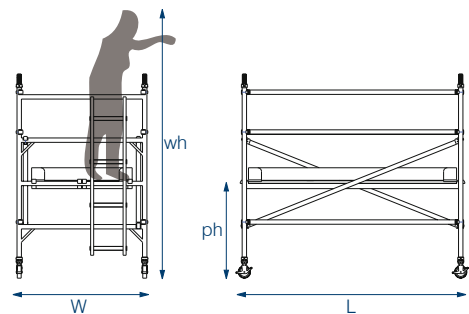
Working Height
10.2m

Platform Height
8.2m



Tower Components

Item	Description	Quantity
1	150mm Locking Castor	4
2	Adjustable Leg 500mm	4
3	2 rung Ladder Frame	1
4	2 rung Span Frame	1
5	3 rung Ladder Frame	0
6	3 rung Span Frame	0
7	4 rung Ladder Frame	4
8	4 rung Span Frame	4
9	1.8m Trapdoor Platform	3
10	Standard Platform	0
11	1.8m Horizontal Brace	14
12	2.1m Diagonal Brace	15
13	Complete Toe Board Set	1
14	Standard Stabilisers	0
15	Jumbo Stabilisers	4
16	Instruction Manual & BSEN1004 certificate of conformity	1



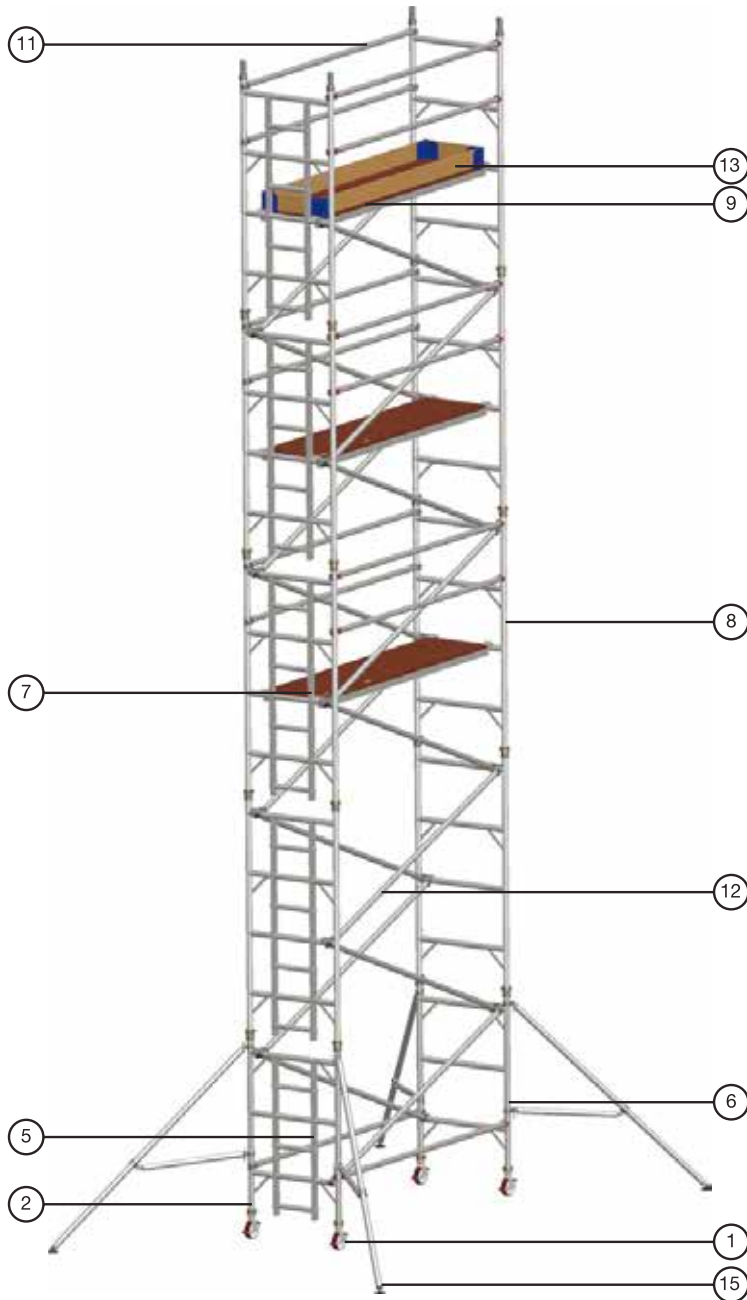
Technical Information

Base Dimensions:	(L)1.8m X (W)0.85m
Maximum Platform Height (ph):	8.2m
Maximum Working Height (wh):	10.2m
Maximum Working Load Per Platform:	275kg
Maximum Working Load Per Tower: (including tower weight)	950kg
Weight:	315kg

Single Width Tower
1.8m Long x 0.85m wide

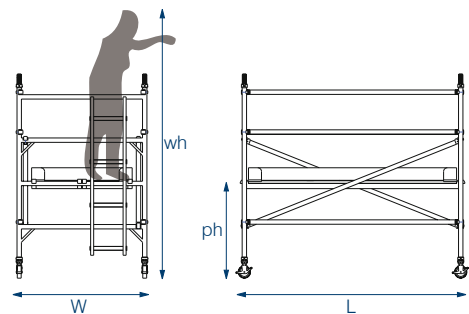
Working Height
10.7m

Platform Height
8.7m



Tower Components

Item	Description	Quantity
1	150mm Locking Castor	4
2	Adjustable Leg 500mm	4
3	2 rung Ladder Frame	0
4	2 rung Span Frame	0
5	3 rung Ladder Frame	1
6	3 rung Span Frame	1
7	4 rung Ladder Frame	4
8	4 rung Span Frame	4
9	1.8m Trapdoor Platform	3
10	Standard Platform	0
11	1.8m Horizontal Brace	14
12	2.1m Diagonal Brace	16
13	Complete Toe Board Set	1
14	Standard Stabilisers	0
15	Jumbo Stabilisers	4
16	Instruction Manual & BSEN1004 certificate of conformity	1



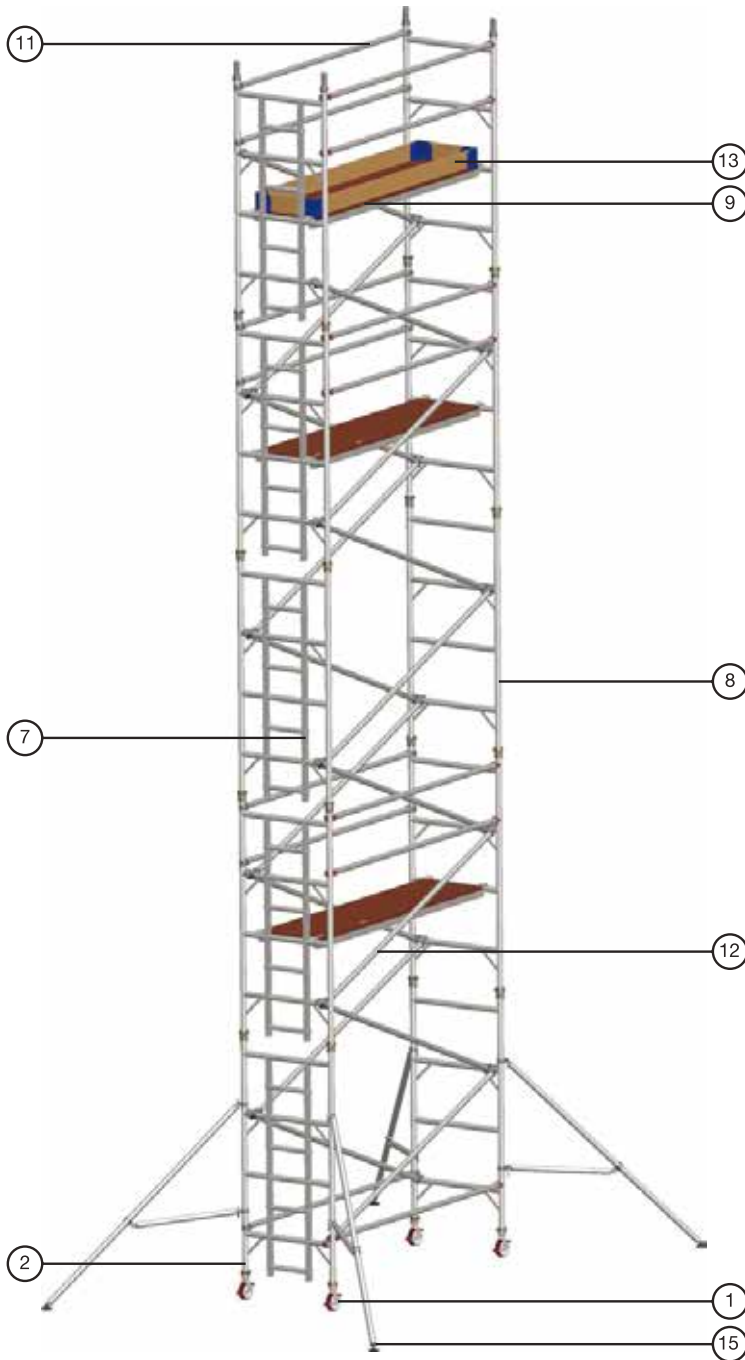
Technical Information

Base Dimensions:	(L)1.8m X (W)0.85m
Maximum Platform Height (ph):	8.7m
Maximum Working Height (wh):	10.7m
Maximum Working Load Per Platform:	275kg
Maximum Working Load Per Tower: (including tower weight)	950kg
Weight:	271kg

Single Width Tower
1.8m Long x 0.85m wide

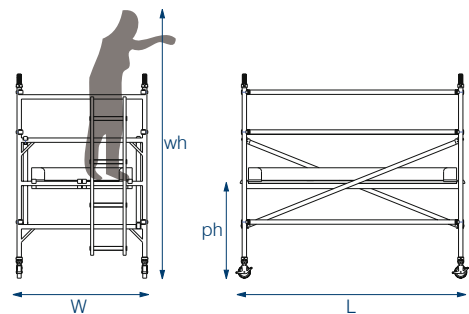
Working Height
11.2m

Platform Height
9.2m



Tower Components

Item	Description	Quantity
1	150mm Locking Castor	4
2	Adjustable Leg 500mm	4
3	2 rung Ladder Frame	0
4	2 rung Span Frame	0
5	3 rung Ladder Frame	0
6	3 rung Span Frame	0
7	4 rung Ladder Frame	5
8	4 rung Span Frame	5
9	1.8m Trapdoor Platform	3
10	Standard Platform	0
11	1.8m Horizontal Brace	14
12	2.1m Diagonal Brace	17
13	Complete Toe Board Set	1
14	Standard Stabilisers	0
15	Jumbo Stabilisers	4
16	Instruction Manual & BSEN1004 certificate of conformity	1



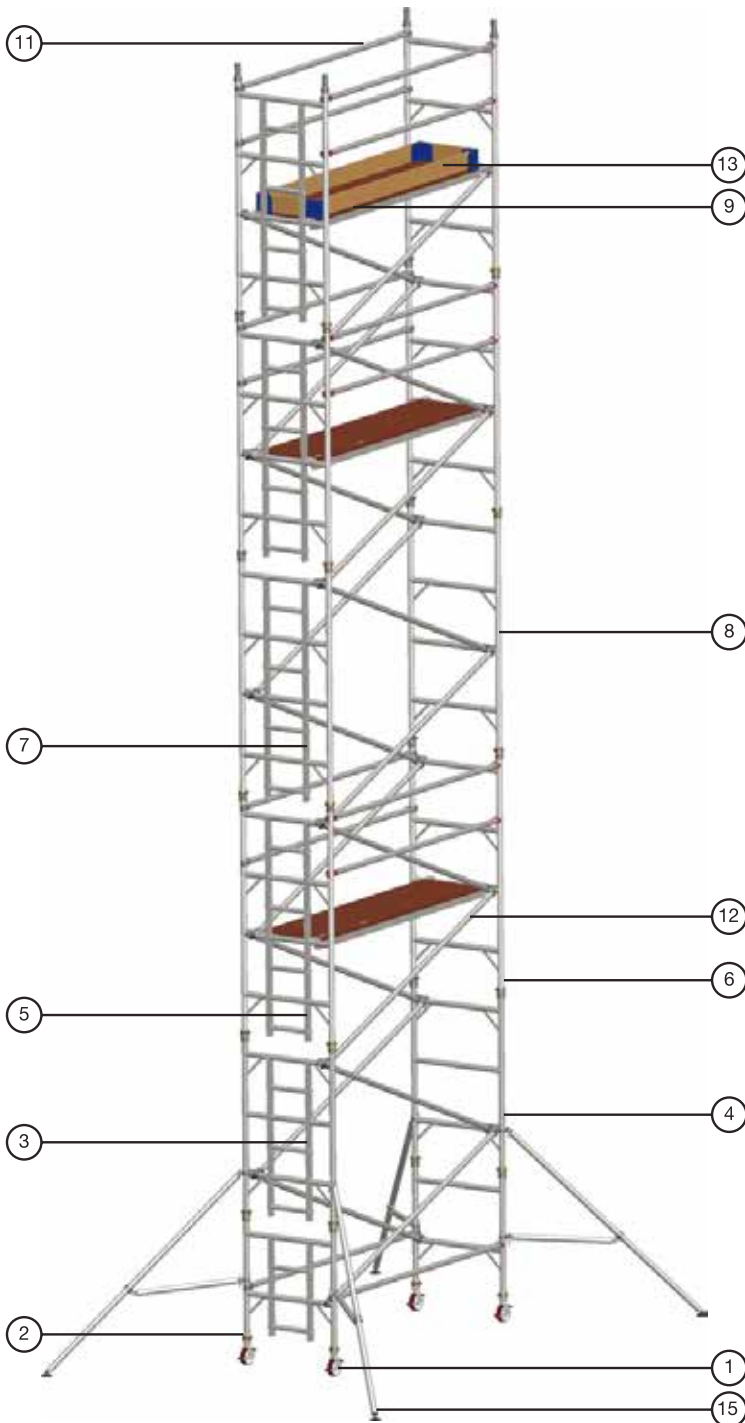
Technical Information

Base Dimensions:	(L)1.8m X (W)0.85m
Maximum Platform Height (ph):	9.2m
Maximum Working Height (wh):	11.2m
Maximum Working Load Per Platform:	275kg
Maximum Working Load Per Tower: (including tower weight)	950kg
Weight:	277kg

Single Width Tower
1.8m Long x 0.85m wide

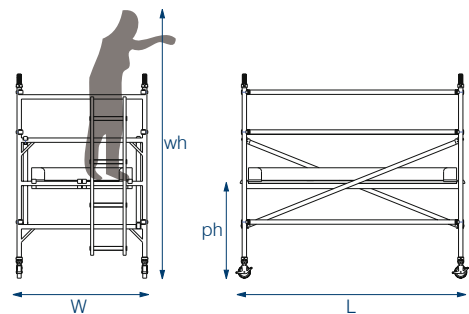
Working Height
11.7m

Platform Height
9.7m



Tower Components

Item	Description	Quantity
1	150mm Locking Castor	4
2	Adjustable Leg 500mm	4
3	2 rung Ladder Frame	1
4	2 rung Span Frame	1
5	3 rung Ladder Frame	1
6	3 rung Span Frame	1
7	4 rung Ladder Frame	4
8	4 rung Span Frame	4
9	1.8m Trapdoor Platform	3
10	Standard Platform	0
11	1.8m Horizontal Brace	14
12	2.1m Diagonal Brace	18
13	Complete Toe Board Set	1
14	Standard Stabilisers	0
15	Jumbo Stabilisers	4
16	Instruction Manual & BSEN1004 certificate of conformity	1



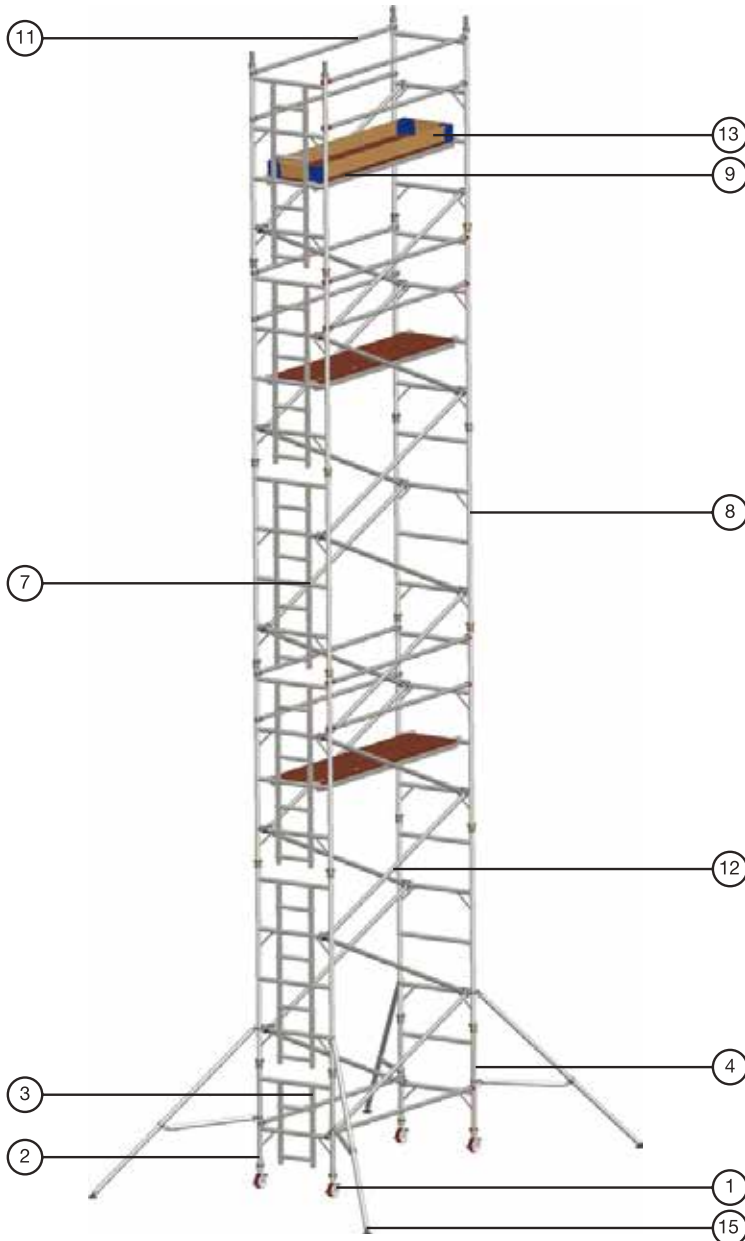
Technical Information

Base Dimensions:	(L)1.8m X (W)0.85m
Maximum Platform Height (ph):	9.7m
Maximum Working Height (wh):	11.7m
Maximum Working Load Per Platform:	275kg
Maximum Working Load Per Tower: (including tower weight)	950kg
Weight:	286kg

Single Width Tower
1.8m Long x 0.85m wide

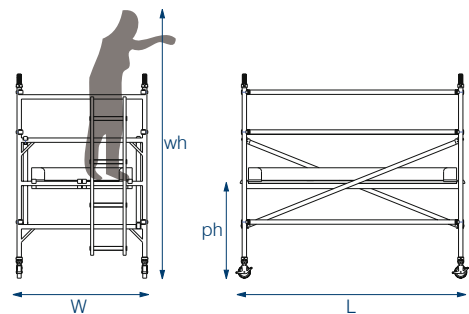
Working Height
12.2m

Platform Height
10.2m



Tower Components

Item	Description	Quantity
1	150mm Locking Castor	4
2	Adjustable Leg 500mm	4
3	2 rung Ladder Frame	1
4	2 rung Span Frame	1
5	3 rung Ladder Frame	0
6	3 rung Span Frame	0
7	4 rung Ladder Frame	5
8	4 rung Span Frame	5
9	1.8m Trapdoor Platform	3
10	Standard Platform	0
11	1.8m Horizontal Brace	14
12	2.1m Diagonal Brace	19
13	Complete Toe Board Set	1
14	Standard Stabilisers	0
15	Jumbo Stabilisers	4
16	Instruction Manual & BSEN1004 certificate of conformity	1



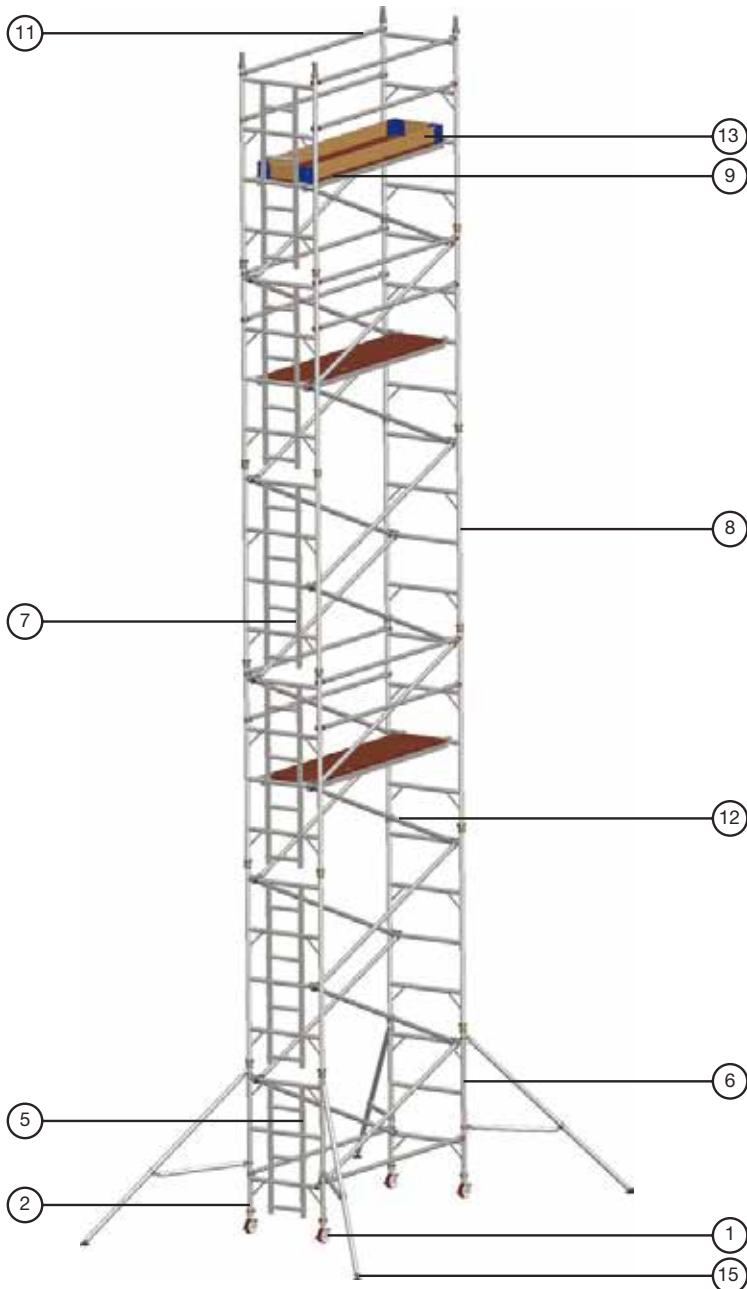
Technical Information

Base Dimensions:	(L)1.8m X (W)0.85m
Maximum Platform Height (ph):	10.2m
Maximum Working Height (wh):	12.2m
Maximum Working Load Per Platform:	275kg
Maximum Working Load Per Tower: (including tower weight)	950kg
Weight:	290kg

Single Width Tower
1.8m Long x 0.85m wide

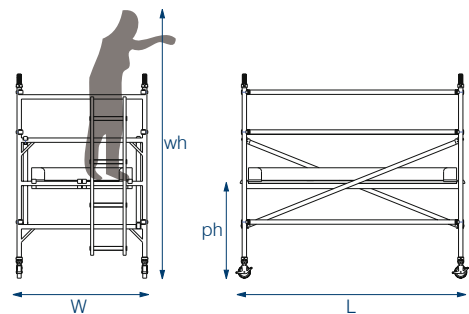
Working Height
12.7m

Platform Height
10.7m



Tower Components

Item	Description	Quantity
1	150mm Locking Castor	4
2	Adjustable Leg 500mm	4
3	2 rung Ladder Frame	0
4	2 rung Span Frame	0
5	3 rung Ladder Frame	1
6	3 rung Span Frame	1
7	4 rung Ladder Frame	5
8	4 rung Span Frame	5
9	1.8m Trapdoor Platform	4
10	Standard Platform	0
11	1.8m Horizontal Brace	18
12	2.1m Diagonal Brace	20
13	Complete Toe Board Set	1
14	Standard Stabilisers	0
15	Jumbo Stabilisers	4
16	Instruction Manual & BSEN1004 certificate of conformity	1



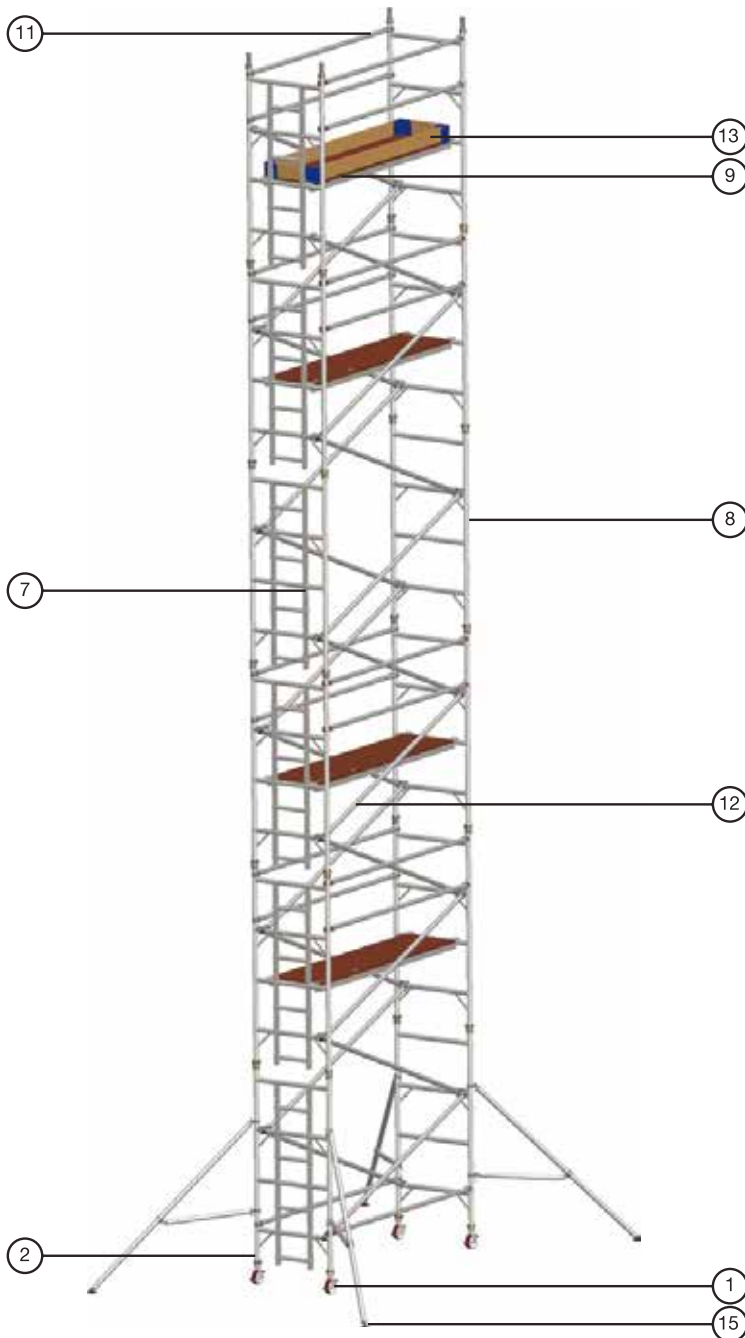
Technical Information

Base Dimensions:	(L)1.8m X (W)0.85m
Maximum Platform Height (ph):	10.7m
Maximum Working Height (wh):	12.7m
Maximum Working Load Per Platform:	275kg
Maximum Working Load Per Tower: (including tower weight)	950kg
Weight:	326kg

Single Width Tower
1.8m Long x 0.85m wide

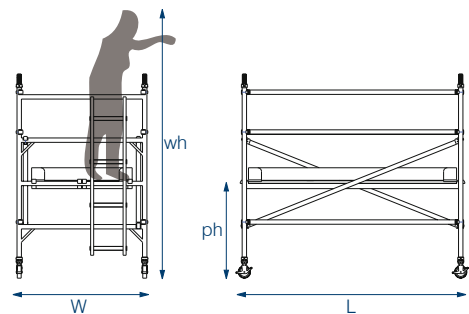
Working Height
13.2m

Platform Height
11.2m



Tower Components

Item	Description	Quantity
1	150mm Locking Castor	4
2	Adjustable Leg 500mm	4
3	2 rung Ladder Frame	0
4	2 rung Span Frame	0
5	3 rung Ladder Frame	0
6	3 rung Span Frame	0
7	4 rung Ladder Frame	6
8	4 rung Span Frame	6
9	1.8m Trapdoor Platform	4
10	Standard Platform	0
11	1.8m Horizontal Brace	18
12	2.1m Diagonal Brace	21
13	Complete Toe Board Set	1
14	Standard Stabilisers	0
15	Jumbo Stabilisers	4
16	Instruction Manual & BSEN1004 certificate of conformity	1



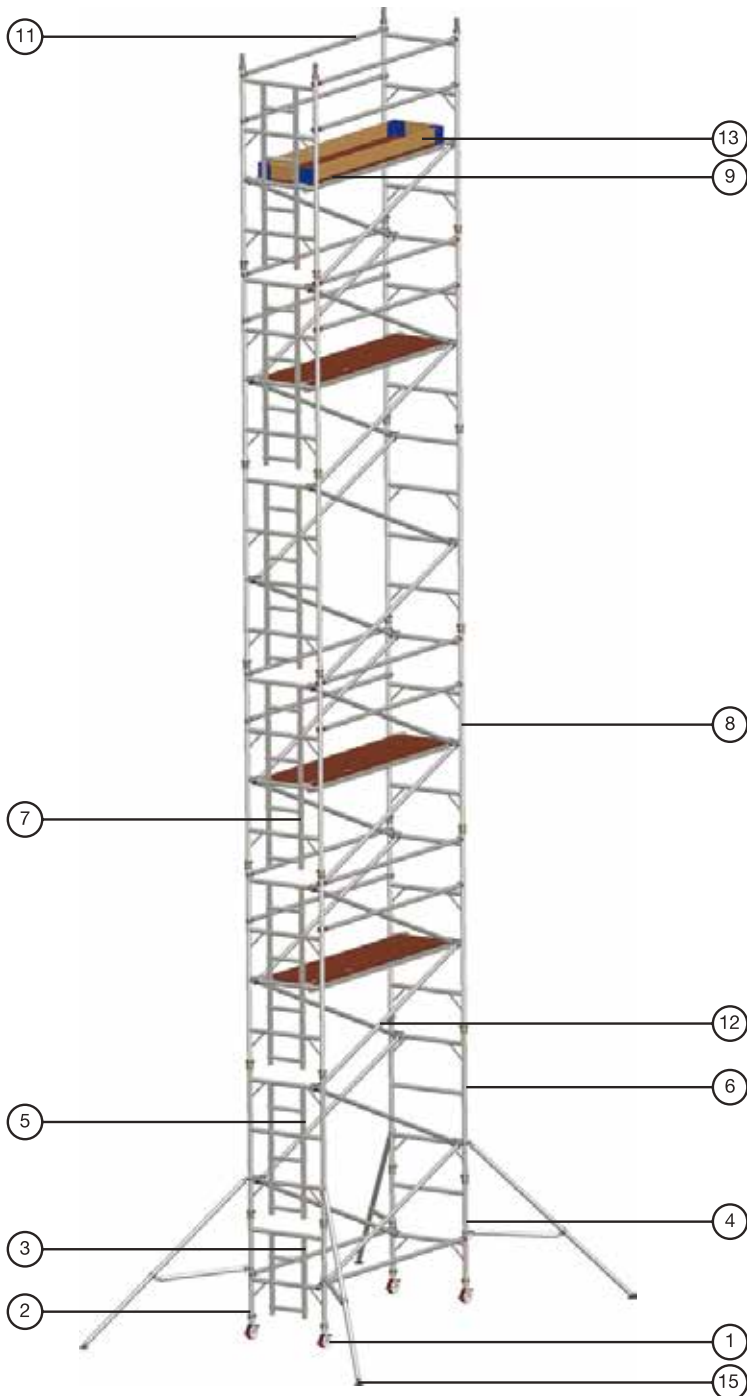
Technical Information

Base Dimensions:	(L)1.8m X (W)0.85m
Maximum Platform Height (ph):	11.2m
Maximum Working Height (wh):	13.2m
Maximum Working Load Per Platform:	275kg
Maximum Working Load Per Tower: (including tower weight)	950kg
Weight:	332kg

Single Width Tower
1.8m Long x 0.85m wide

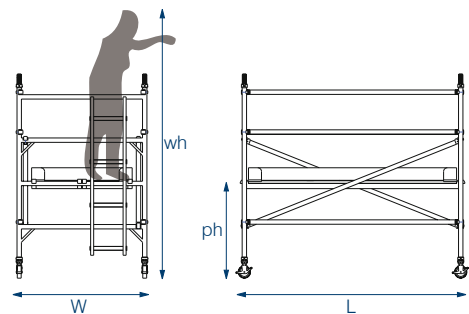
Working Height
13.7m

Platform Height
11.7m



Tower Components

Item	Description	Quantity
1	150mm Locking Castor	4
2	Adjustable Leg 500mm	4
3	2 rung Ladder Frame	1
4	2 rung Span Frame	1
5	3 rung Ladder Frame	1
6	3 rung Span Frame	1
7	4 rung Ladder Frame	5
8	4 rung Span Frame	5
9	1.8m Trapdoor Platform	4
10	Standard Platform	0
11	1.8m Horizontal Brace	18
12	2.1m Diagonal Brace	22
13	Complete Toe Board Set	1
14	Standard Stabilisers	0
15	Jumbo Stabilisers	4
16	Instruction Manual & BSEN1004 certificate of conformity	1



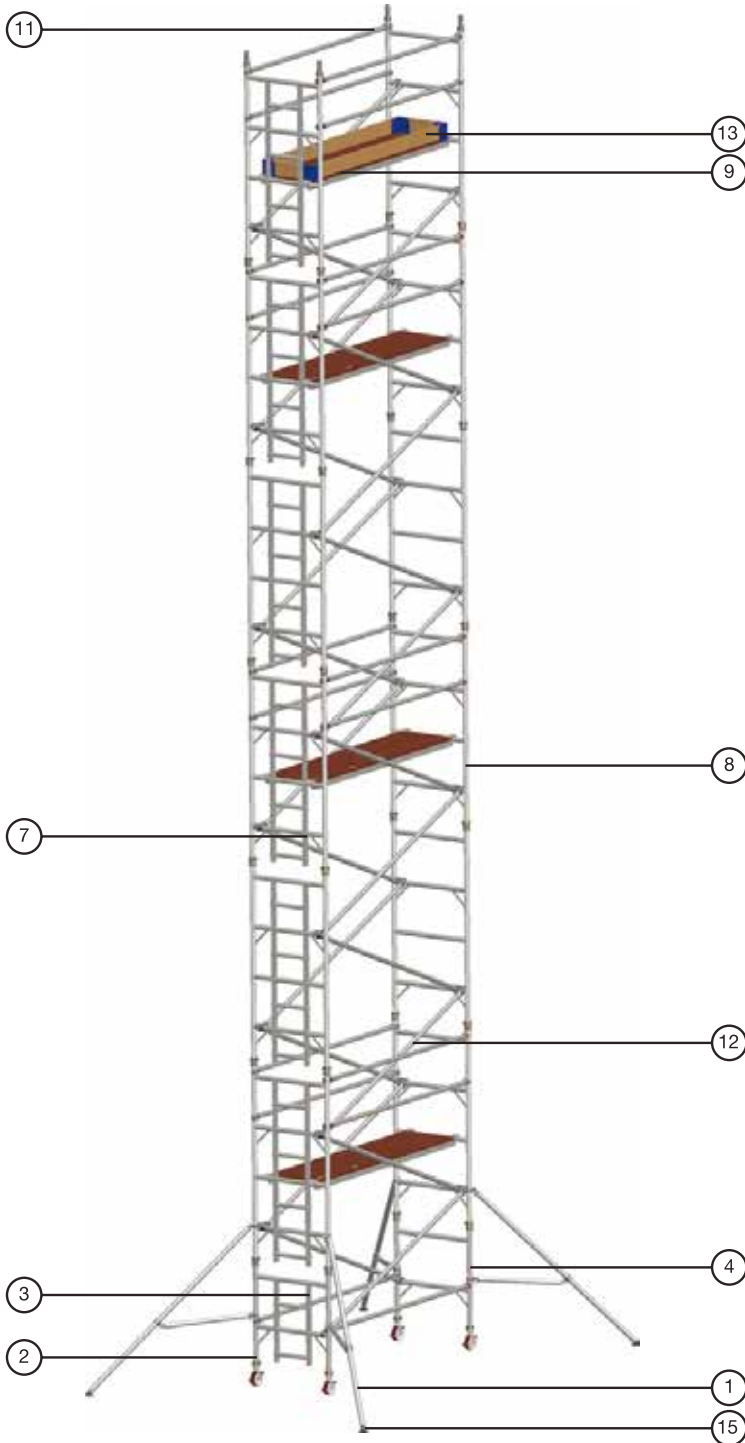
Technical Information

Base Dimensions:	(L)1.8m X (W)0.85m
Maximum Platform Height (ph):	11.7m
Maximum Working Height (wh):	13.7m
Maximum Working Load Per Platform:	275kg
Maximum Working Load Per Tower: (including tower weight)	950kg
Weight:	339kg

Single Width Tower
1.8m Long x 0.85m wide

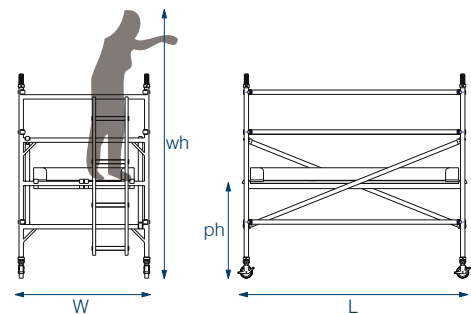
Working Height
14.2m

Platform Height
12.2m



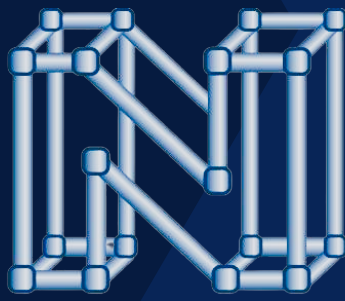
Tower Components

Item	Description	Quantity
1	150mm Locking Castor	4
2	Adjustable Leg 500mm	4
3	2 rung Ladder Frame	1
4	2 rung Span Frame	1
5	3 rung Ladder Frame	0
6	3 rung Span Frame	0
7	4 rung Ladder Frame	6
8	4 rung Span Frame	6
9	1.8m Trapdoor Platform	4
10	Standard Platform	0
11	1.8m Horizontal Brace	18
12	2.1m Diagonal Brace	23
13	Complete Toe Board Set	1
14	Standard Stabilisers	0
15	Jumbo Stabilisers	4
16	Instruction Manual & BSEN1004 certificate of conformity	1



Technical Information

Base Dimensions:	(L)1.8m X (W)0.85m
Maximum Platform Height (ph):	12.2m
Maximum Working Height (wh):	14.2m
Maximum Working Load Per Platform:	275kg
Maximum Working Load Per Tower: (including tower weight)	950kg
Weight:	346kg



NORSCAFF

SCAFFOLDING & ACCESS

DOUBLE WIDTH TOWERS



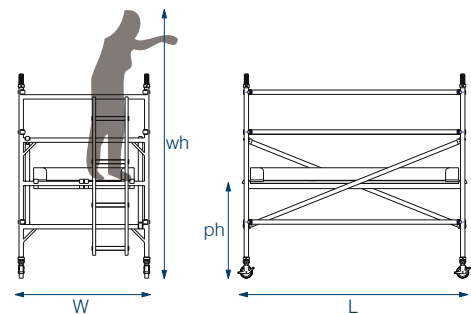
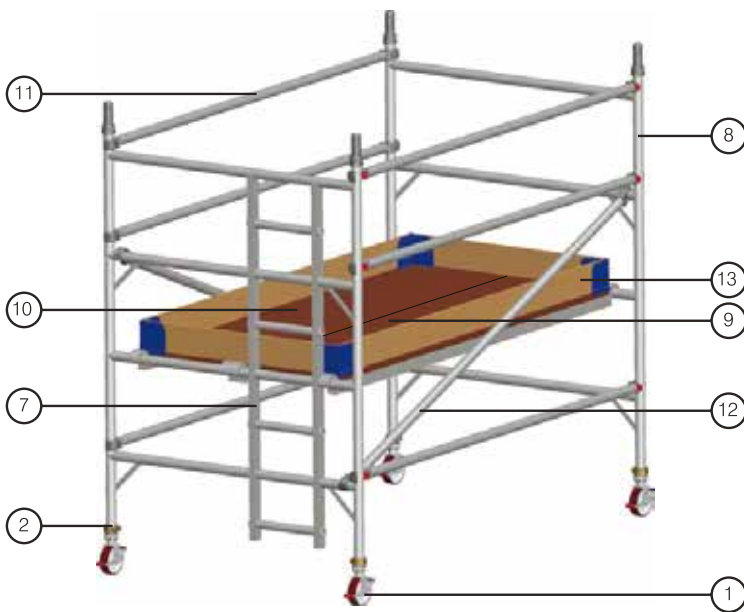
Double Width Tower
3.2m Long x 1.45m wide

Working Height
3.2m

Platform Height
1.2m

Tower Components

Item	Description	Quantity
1	150mm Locking Castor	4
2	Adjustable Leg 500mm	4
3	2 rung Ladder Frame	0
4	2 rung Span Frame	0
5	3 rung Ladder Frame	0
6	3 rung Span Frame	0
7	4 rung Ladder Frame	1
8	4 rung Span Frame	1
9	3.2m Trapdoor Platforms	1
10	3.2m Standard Platforms	1
11	3.2m Horizontal Brace	6
12	3.5m Diagonal Brace	2
13	Complete Toe Board Set	1
14	Standard Stabilisers	0
15	Jumbo Stabilisers	0
16	Instruction Manual & BSEN1004 certificate of conformity	1



Technical Information

Base Dimensions:	(L)3.2m X (W)1.45m
Maximum Platform Height (ph):	1.2m
Maximum Working Height (wh):	3.2m
Maximum Working Load Per Platform:	275kg
Maximum Working Load Per Tower: (including tower weight)	950kg
Weight:	135kg

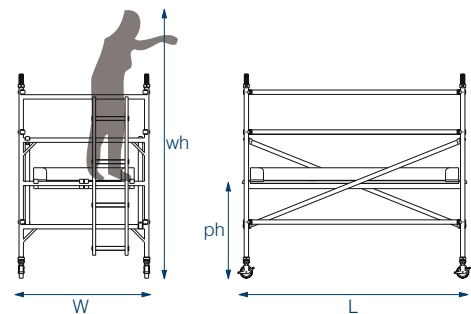
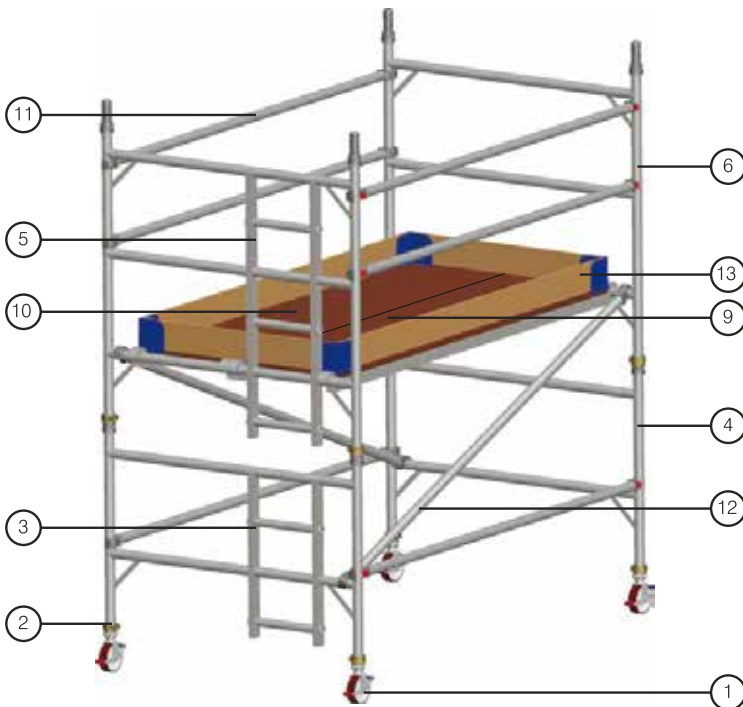
Double Width Tower
3.2m Long x 1.45m wide

Working Height
3.7m

Platform Height
1.7m

Tower Components

Item	Description	Quantity
1	150mm Locking Castor	4
2	Adjustable Leg 500mm	4
3	2 rung Ladder Frame	1
4	2 rung Span Frame	1
5	3 rung Ladder Frame	1
6	3 rung Span Frame	1
7	4 rung Ladder Frame	0
8	4 rung Span Frame	0
9	3.2m Trapdoor Platforms	1
10	3.2m Standard Platforms	1
11	3.2m Horizontal Brace	6
12	3.5m Diagonal Brace	3
13	Complete Toe Board Set	1
14	Standard Stabilisers	0
15	Jumbo Stabilisers	0
16	Instruction Manual & BSEN1004 certificate of conformity	1



Technical Information

Base Dimensions:	(L)3.2m X (W)1.45m
Maximum Platform Height (ph):	1.7m
Maximum Working Height (wh):	3.7m
Maximum Working Load Per Platform:	275kg
Maximum Working Load Per Tower: (including tower weight)	950kg
Weight:	140kg

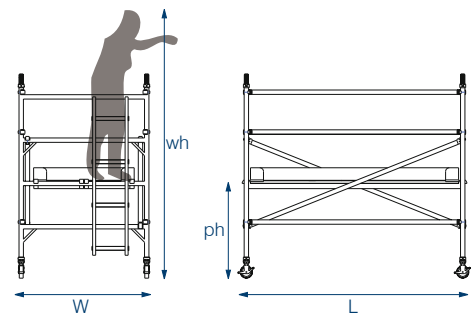
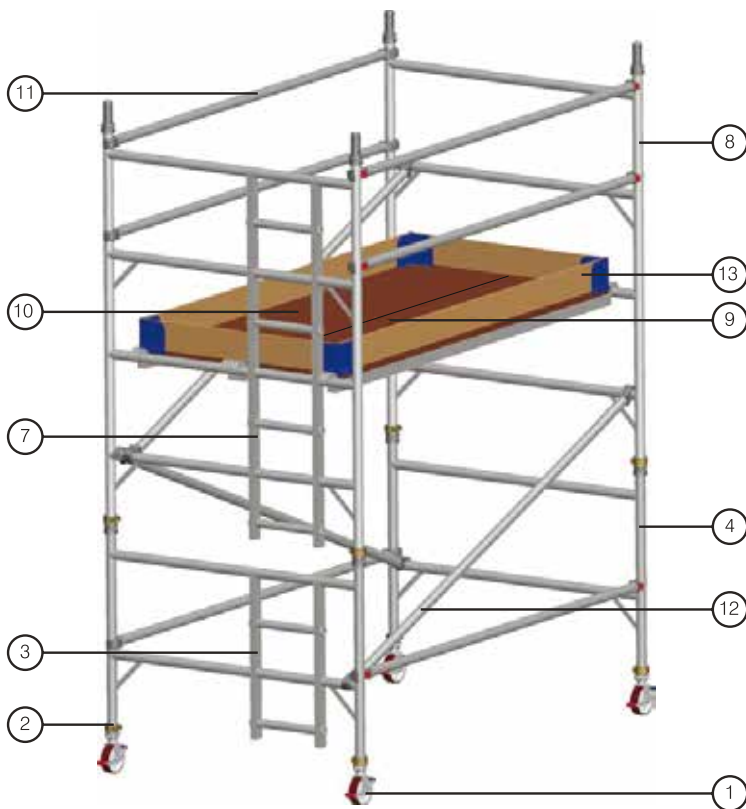
Double Width Tower
3.2m Long x 1.45m wide

Working Height
4.2m

Platform Height
2.2m

Tower Components

Item	Description	Quantity
1	150mm Locking Castor	4
2	Adjustable Leg 500mm	4
3	2 rung Ladder Frame	1
4	2 rung Span Frame	1
5	3 rung Ladder Frame	0
6	3 rung Span Frame	0
7	4 rung Ladder Frame	1
8	4 rung Span Frame	1
9	3.2m Trapdoor Platforms	1
10	3.2m Standard Platforms	1
11	3.2m Horizontal Brace	6
12	3.5m Diagonal Brace	3
13	Complete Toe Board Set	1
14	Standard Stabilisers	0
15	Jumbo Stabilisers	0
16	Instruction Manual & BSEN1004 certificate of conformity	1



Technical Information

Base Dimensions:	(L)3.2m X (W)1.45m
Maximum Platform Height (ph):	2.2m
Maximum Working Height (wh):	4.2m
Maximum Working Load Per Platform:	275kg
Maximum Working Load Per Tower: (including tower weight)	950kg
Weight:	149kg

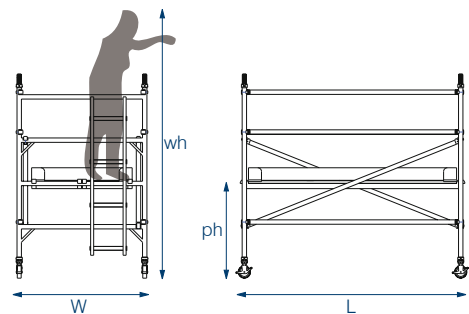
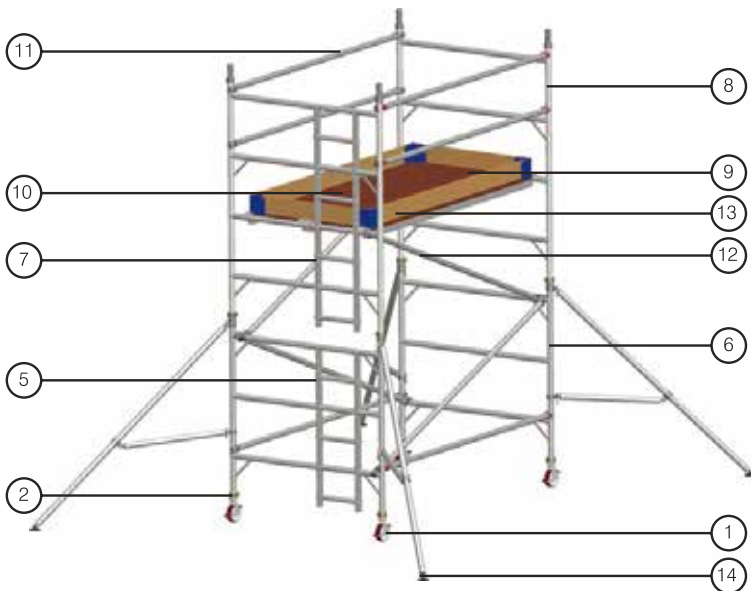
Double Width Tower
3.2m Long x 1.45m wide

Working Height
4.7m

Platform Height
2.7m

Tower Components

Item	Description	Quantity
1	150mm Locking Castor	4
2	Adjustable Leg 500mm	4
3	2 rung Ladder Frame	0
4	2 rung Span Frame	0
5	3 rung Ladder Frame	1
6	3 rung Span Frame	1
7	4 rung Ladder Frame	1
8	4 rung Span Frame	1
9	3.2m Trapdoor Platforms	1
10	3.2m Standard Platforms	1
11	3.2m Horizontal Brace	6
12	3.5m Diagonal Brace	4
13	Complete Toe Board Set	1
14	Standard Stabilisers	4
15	Jumbo Stabilisers	0
16	Instruction Manual & BSEN1004 certificate of conformity	1



Technical Information

Base Dimensions:	(L)3.2m X (W)1.45m
Maximum Platform Height (ph):	2.7m
Maximum Working Height (wh):	4.7m
Maximum Working Load Per Platform:	275kg
Maximum Working Load Per Tower: (including tower weight)	950kg
Weight:	172kg

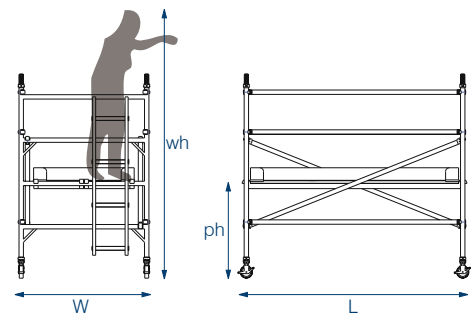
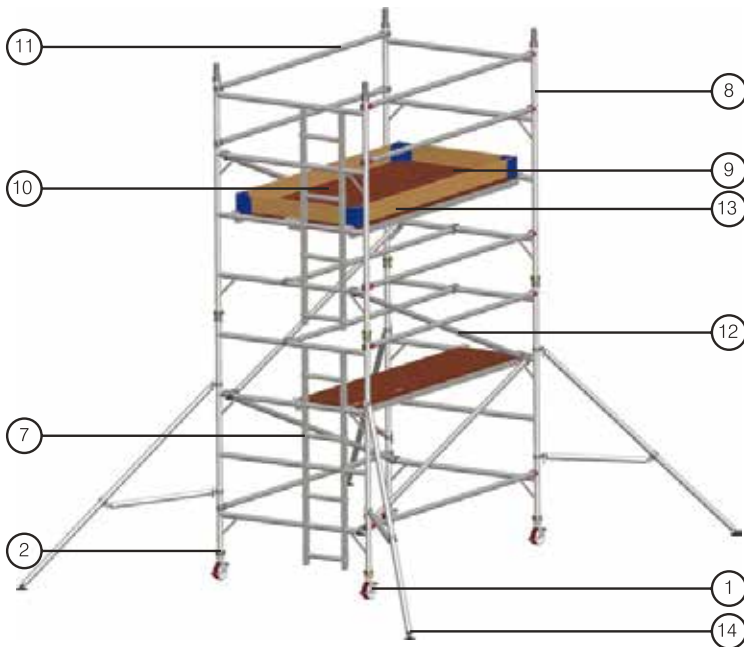
Double Width Tower
3.2m Long x 1.45m wide

Working Height
5.2m

Platform Height
3.2m

Tower Components

Item	Description	Quantity
1	150mm Locking Castor	4
2	Adjustable Leg 500mm	4
3	2 rung Ladder Frame	0
4	2 rung Span Frame	0
5	3 rung Ladder Frame	0
6	3 rung Span Frame	0
7	4 rung Ladder Frame	2
8	4 rung Span Frame	2
9	3.2m Trapdoor Platforms	2
10	3.2m Standard Platforms	1
11	3.2m Horizontal Brace	10
12	3.5m Diagonal Brace	5
13	Complete Toe Board Set	1
14	Standard Stabilisers	4
15	Jumbo Stabilisers	0
16	Instruction Manual & BSEN1004 certificate of conformity	1



Technical Information

Base Dimensions:	(L)3.2m X (W)1.45m
Maximum Platform Height (ph):	3.2m
Maximum Working Height (wh):	5.2m
Maximum Working Load Per Platform:	275kg
Maximum Working Load Per Tower: (including tower weight)	950kg
Weight:	209kg

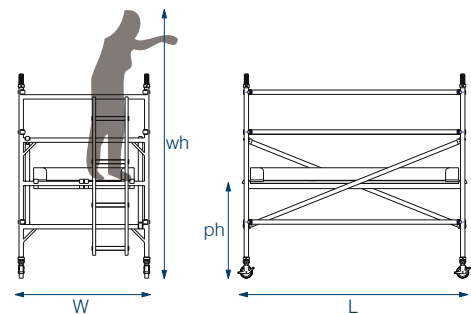
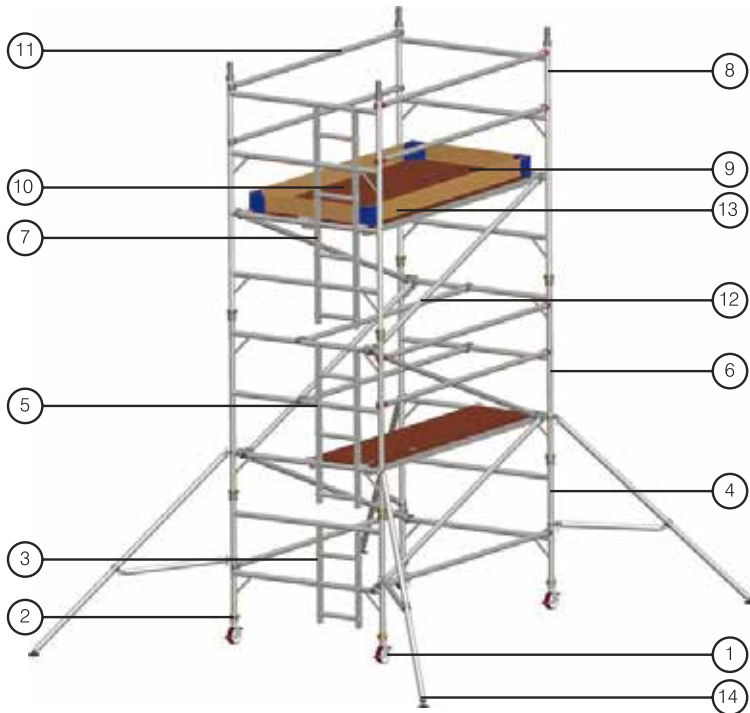
Double Width Tower
3.2m Long x 1.45m wide

Working Height
5.7m

Platform Height
3.7m

Tower Components

Item	Description	Quantity
1	150mm Locking Castor	4
2	Adjustable Leg 500mm	4
3	2 rung Ladder Frame	1
4	2 rung Span Frame	1
5	3 rung Ladder Frame	1
6	3 rung Span Frame	1
7	4 rung Ladder Frame	1
8	4 rung Span Frame	1
9	3.2m Trapdoor Platforms	2
10	3.2m Standard Platforms	1
11	3.2m Horizontal Brace	10
12	3.5m Diagonal Brace	6
13	Complete Toe Board Set	1
14	Standard Stabilisers	4
15	Jumbo Stabilisers	0
16	Instruction Manual & BSEN1004 certificate of conformity	1



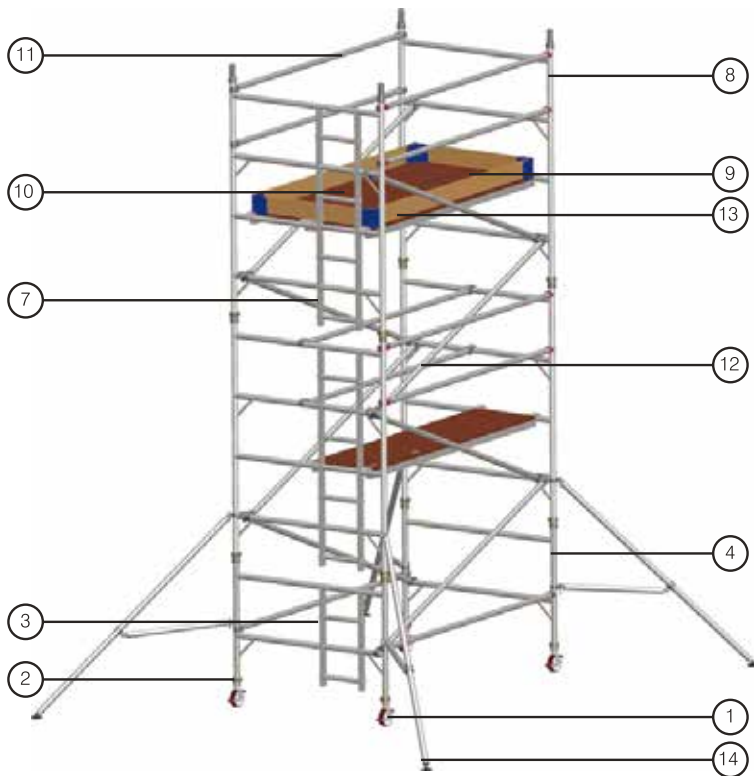
Technical Information

Base Dimensions:	(L)3.2m X (W)1.45m
Maximum Platform Height (ph):	3.7m
Maximum Working Height (wh):	5.7m
Maximum Working Load Per Platform:	275kg
Maximum Working Load Per Tower: (including tower weight)	950kg
Weight:	220kg

Double Width Tower
3.2m Long x 1.45m wide

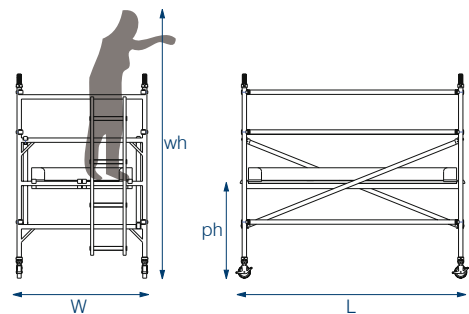
Working Height
6.2m

Platform Height
4.2m



Tower Components

Item	Description	Quantity
1	150mm Locking Castor	4
2	Adjustable Leg 500mm	4
3	2 rung Ladder Frame	1
4	2 rung Span Frame	1
5	3 rung Ladder Frame	0
6	3 rung Span Frame	0
7	4 rung Ladder Frame	2
8	4 rung Span Frame	2
9	3.2m Trapdoor Platforms	2
10	3.2m Standard Platforms	1
11	3.2m Horizontal Brace	10
12	3.5m Diagonal Brace	7
13	Complete Toe Board Set	1
14	Standard Stabilisers	4
15	Jumbo Stabilisers	0
16	Instruction Manual & BSEN1004 certificate of conformity	1



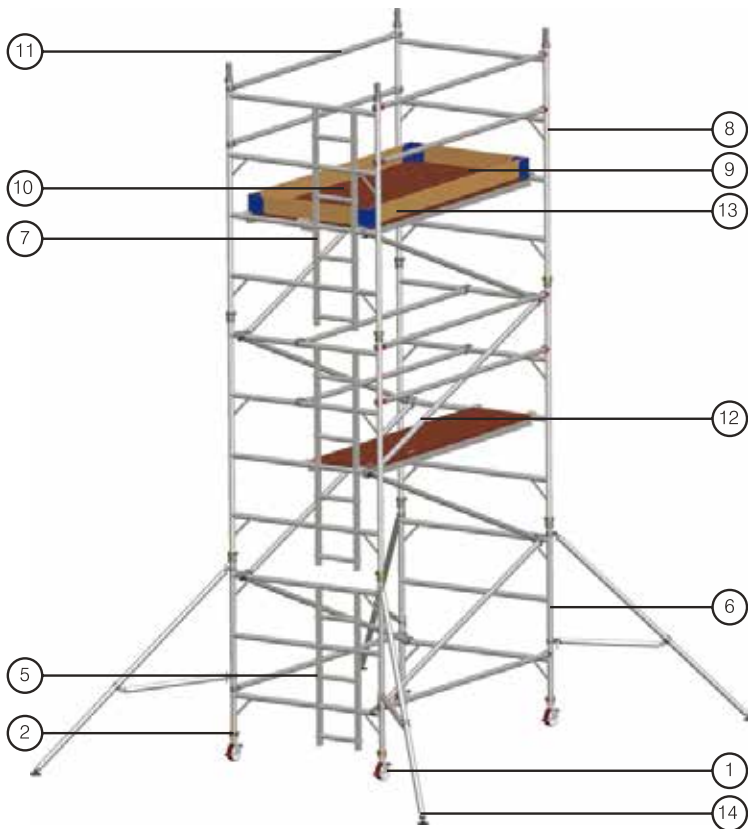
Technical Information

Base Dimensions:	(L)3.2m X (W)1.45m
Maximum Platform Height (ph):	4.2m
Maximum Working Height (wh):	6.2m
Maximum Working Load Per Platform:	275kg
Maximum Working Load Per Tower: (including tower weight)	950kg
Weight:	225kg

Double Width Tower
3.2m Long x 1.45m wide

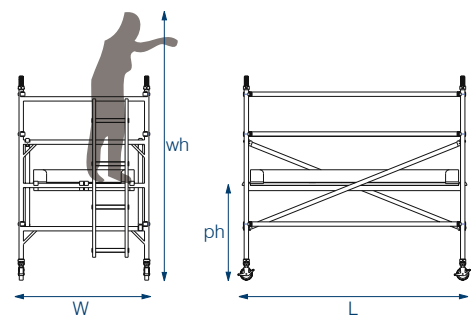
Working Height
6.7m

Platform Height
4.7m



Tower Components

Item	Description	Quantity
1	150mm Locking Castor	4
2	Adjustable Leg 500mm	4
3	2 rung Ladder Frame	0
4	2 rung Span Frame	0
5	3 rung Ladder Frame	1
6	3 rung Span Frame	1
7	4 rung Ladder Frame	2
8	4 rung Span Frame	2
9	3.2m Trapdoor Platforms	2
10	3.2m Standard Platforms	1
11	3.2m Horizontal Brace	10
12	3.5m Diagonal Brace	8
13	Complete Toe Board Set	1
14	Standard Stabilisers	4
15	Jumbo Stabilisers	0
16	Instruction Manual & BSEN1004 certificate of conformity	1



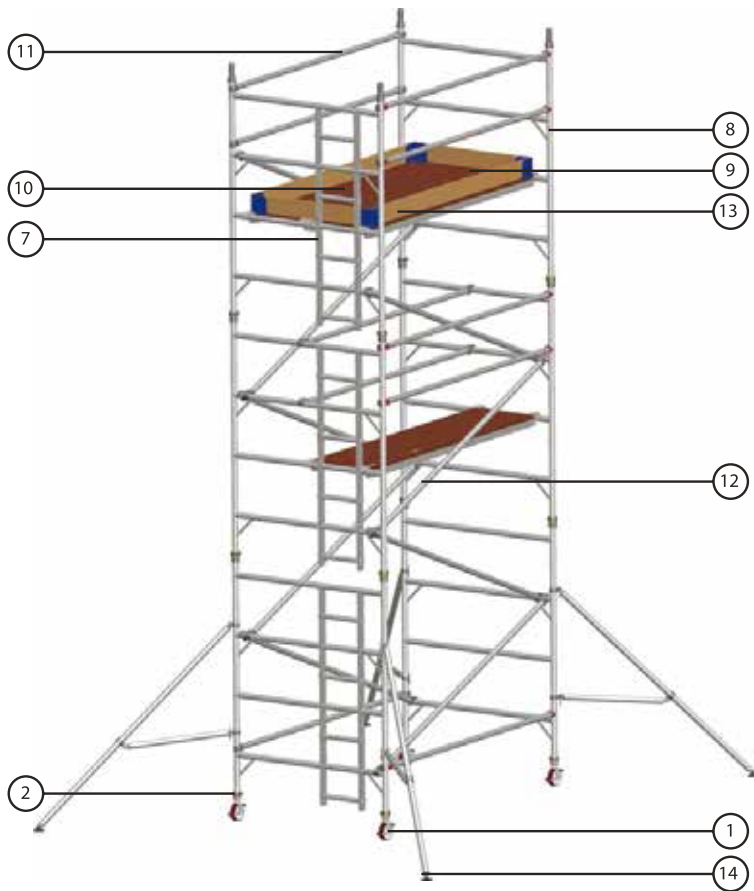
Technical Information

Base Dimensions:	(L)3.2m X (W)1.45m
Maximum Platform Height (ph):	4.7m
Maximum Working Height (wh):	6.7m
Maximum Working Load Per Platform:	275kg
Maximum Working Load Per Tower: (including tower weight)	950kg
Weight:	233kg

Double Width Tower
3.2m Long x 1.45m wide

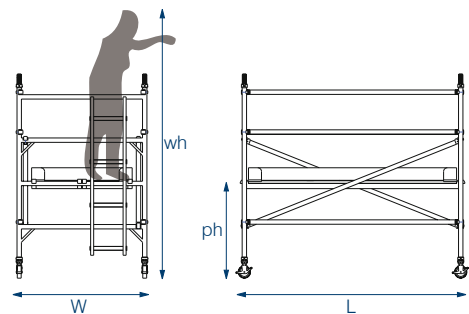
Working Height
7.2m

Platform Height
5.2m



Tower Components

Item	Description	Quantity
1	150mm Locking Castor	4
2	Adjustable Leg 500mm	4
3	2 rung Ladder Frame	0
4	2 rung Span Frame	0
5	3 rung Ladder Frame	0
6	3 rung Span Frame	0
7	4 rung Ladder Frame	3
8	4 rung Span Frame	3
9	3.2m Trapdoor Platforms	2
10	3.2m Standard Platforms	1
11	3.2m Horizontal Brace	10
12	3.5m Diagonal Brace	9
13	Complete Toe Board Set	1
14	Standard Stabilisers	4
15	Jumbo Stabilisers	0
16	Instruction Manual & BSEN1004 certificate of conformity	1



Technical Information

Base Dimensions:	(L)3.2m X (W)1.45m
Maximum Platform Height (ph):	5.2m
Maximum Working Height (wh):	7.2m
Maximum Working Load Per Platform:	275kg
Maximum Working Load Per Tower: (including tower weight)	950kg
Weight:	241kg

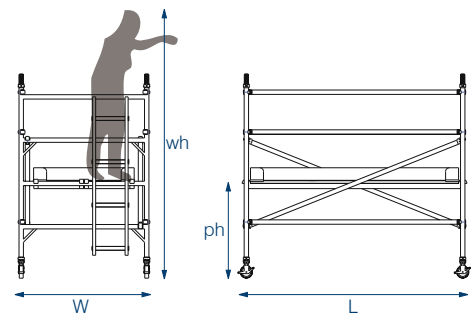
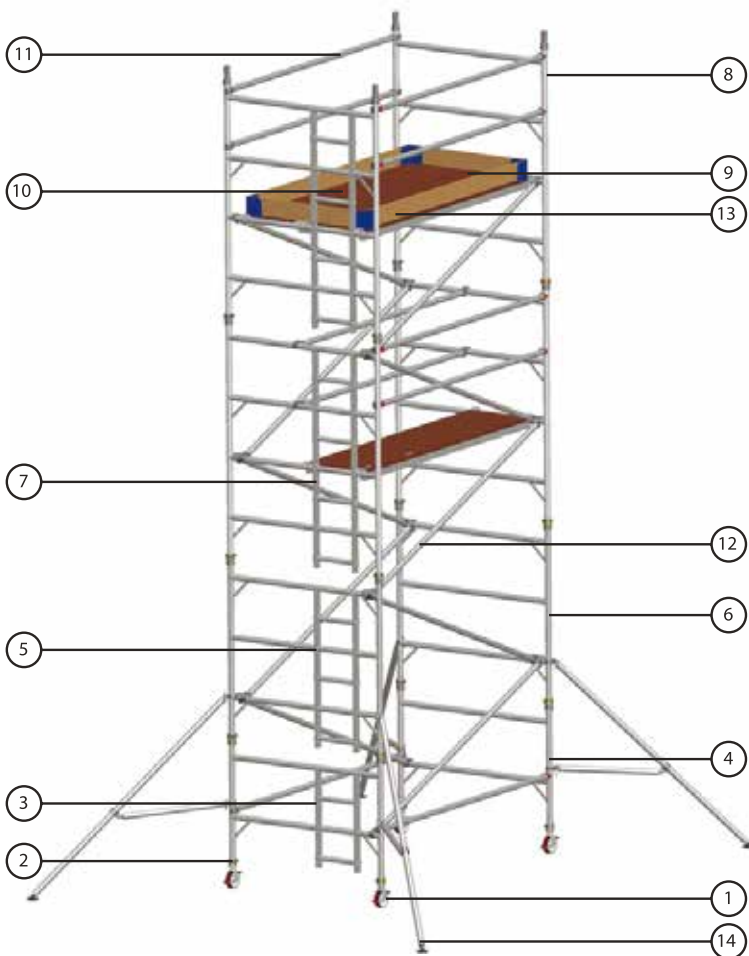
Double Width Tower
3.2m Long x 1.45m wide

Working Height
7.7m

Platform Height
5.7m

Tower Components

Item	Description	Quantity
1	150mm Locking Castor	4
2	Adjustable Leg 500mm	4
3	2 rung Ladder Frame	1
4	2 rung Span Frame	1
5	3 rung Ladder Frame	1
6	3 rung Span Frame	1
7	4 rung Ladder Frame	2
8	4 rung Span Frame	2
9	3.2m Trapdoor Platforms	2
10	3.2m Standard Platforms	1
11	3.2m Horizontal Brace	10
12	3.5m Diagonal Brace	10
13	Complete Toe Board Set	1
14	Standard Stabilisers	4
15	Jumbo Stabilisers	0
16	Instruction Manual & BSEN1004 certificate of conformity	1



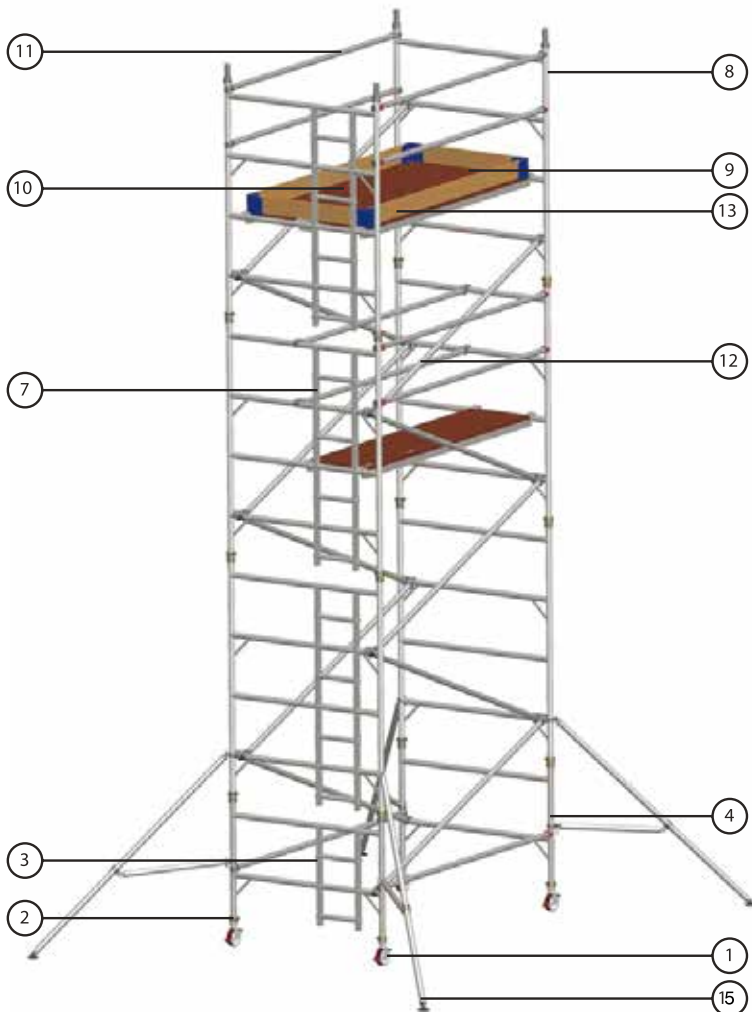
Technical Information

Base Dimensions:	(L)3.2m X (W)1.45m
Maximum Platform Height (ph):	5.7m
Maximum Working Height (wh):	7.7m
Maximum Working Load Per Platform:	275kg
Maximum Working Load Per Tower: (including tower weight)	950kg
Weight:	254kg

Double Width Tower
3.2m Long x 1.45m wide

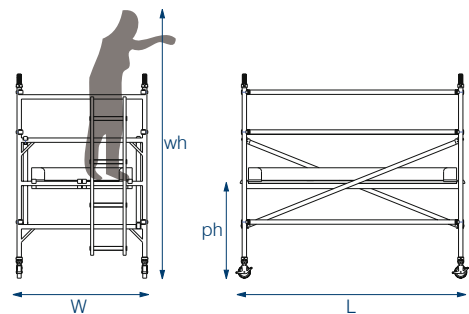
Working Height
8.2m

Platform Height
6.2m



Tower Components

Item	Description	Quantity
1	150mm Locking Castor	4
2	Adjustable Leg 500mm	4
3	2 rung Ladder Frame	1
4	2 rung Span Frame	1
5	3 rung Ladder Frame	0
6	3 rung Span Frame	0
7	4 rung Ladder Frame	3
8	4 rung Span Frame	3
9	3.2m Trapdoor Platforms	2
10	3.2m Standard Platforms	1
11	3.2m Horizontal Brace	10
12	3.5m Diagonal Brace	11
13	Complete Toe Board Set	1
14	Standard Stabilisers	0
15	Jumbo Stabilisers	4
16	Instruction Manual & BSEN1004 certificate of conformity	1



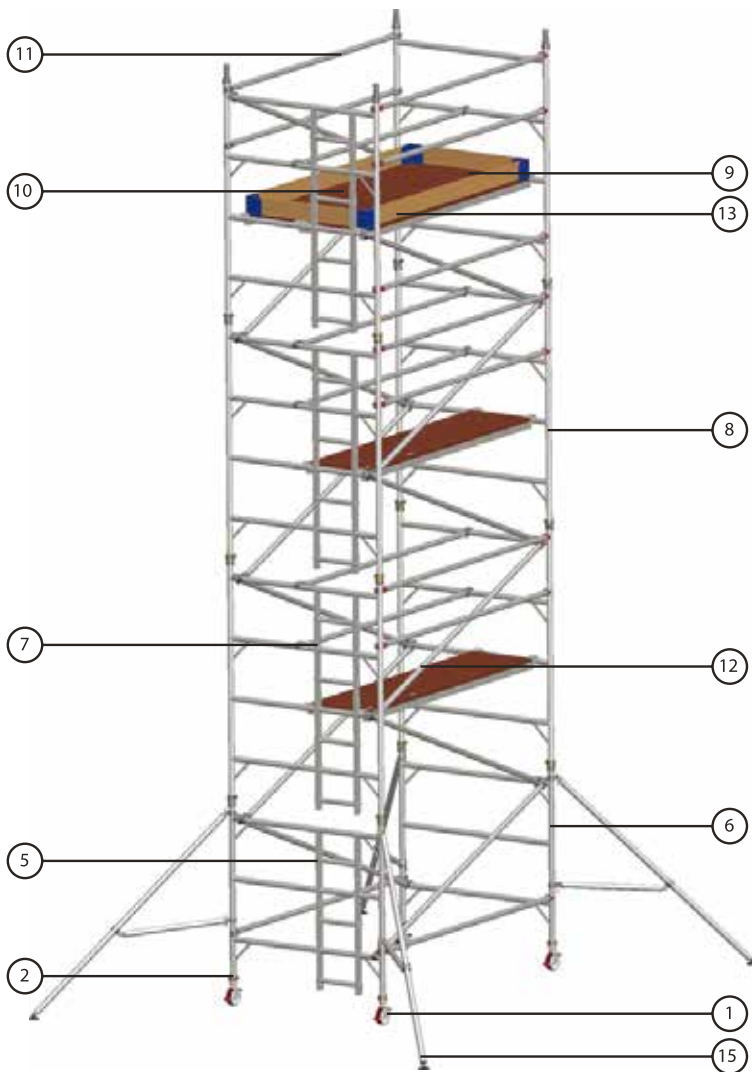
Technical Information

Base Dimensions:	(L)3.2m X (W)1.45m
Maximum Platform Height (ph):	6.2m
Maximum Working Height (wh):	8.2m
Maximum Working Load Per Platform:	275kg
Maximum Working Load Per Tower: (including tower weight)	950kg
Weight:	260kg

Double Width Tower
3.2m Long x 1.45m wide

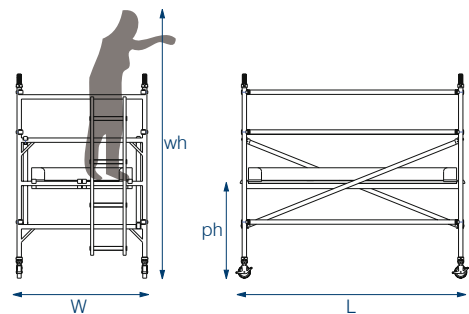
Working Height
8.7m

Platform Height
6.7m



Tower Components

Item	Description	Quantity
1	150mm Locking Castor	4
2	Adjustable Leg 500mm	4
3	2 rung Ladder Frame	0
4	2 rung Span Frame	0
5	3 rung Ladder Frame	1
6	3 rung Span Frame	1
7	4 rung Ladder Frame	3
8	4 rung Span Frame	3
9	3.2m Trapdoor Platforms	3
10	3.2m Standard Platforms	1
11	3.2m Horizontal Brace	14
12	3.5m Diagonal Brace	12
13	Complete Toe Board Set	1
14	Standard Stabilisers	0
15	Jumbo Stabilisers	4
16	Instruction Manual & BSEN1004 certificate of conformity	1



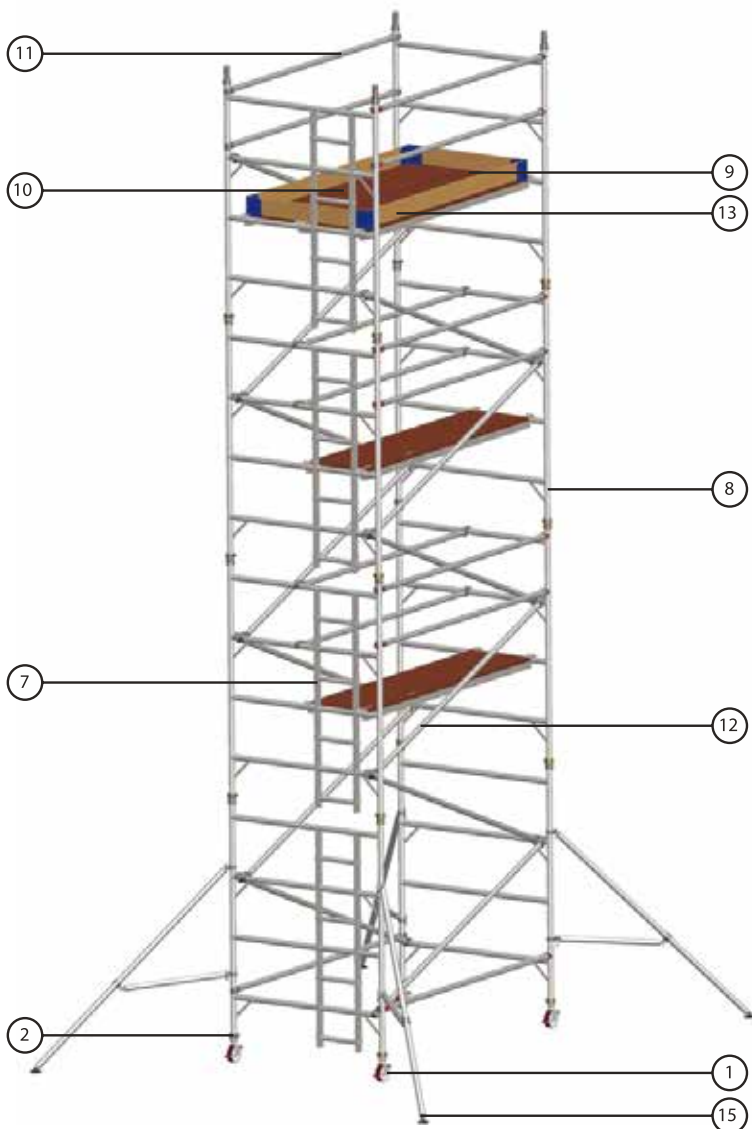
Technical Information

Base Dimensions:	(L)3.2m X (W)1.45m
Maximum Platform Height (ph):	6.7m
Maximum Working Height (wh):	8.7m
Maximum Working Load Per Platform:	275kg
Maximum Working Load Per Tower: (including tower weight)	950kg
Weight:	296kg

Double Width Tower
3.2m Long x 1.45m wide

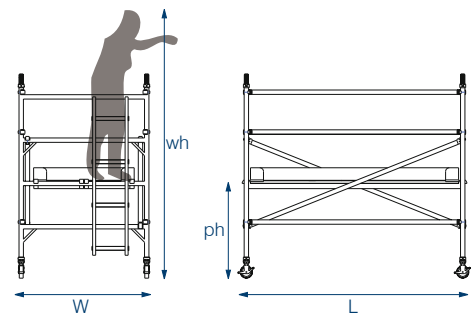
Working Height
9.2m

Platform Height
7.2m



Tower Components

Item	Description	Quantity
1	150mm Locking Castor	4
2	Adjustable Leg 500mm	4
3	2 rung Ladder Frame	0
4	2 rung Span Frame	0
5	3 rung Ladder Frame	0
6	3 rung Span Frame	0
7	4 rung Ladder Frame	4
8	4 rung Span Frame	4
9	3.2m Trapdoor Platforms	3
10	3.2m Standard Platforms	1
11	3.2m Horizontal Brace	14
12	3.5m Diagonal Brace	13
13	Complete Toe Board Set	1
14	Standard Stabilisers	0
15	Jumbo Stabilisers	4
16	Instruction Manual & BSEN1004 certificate of conformity	1



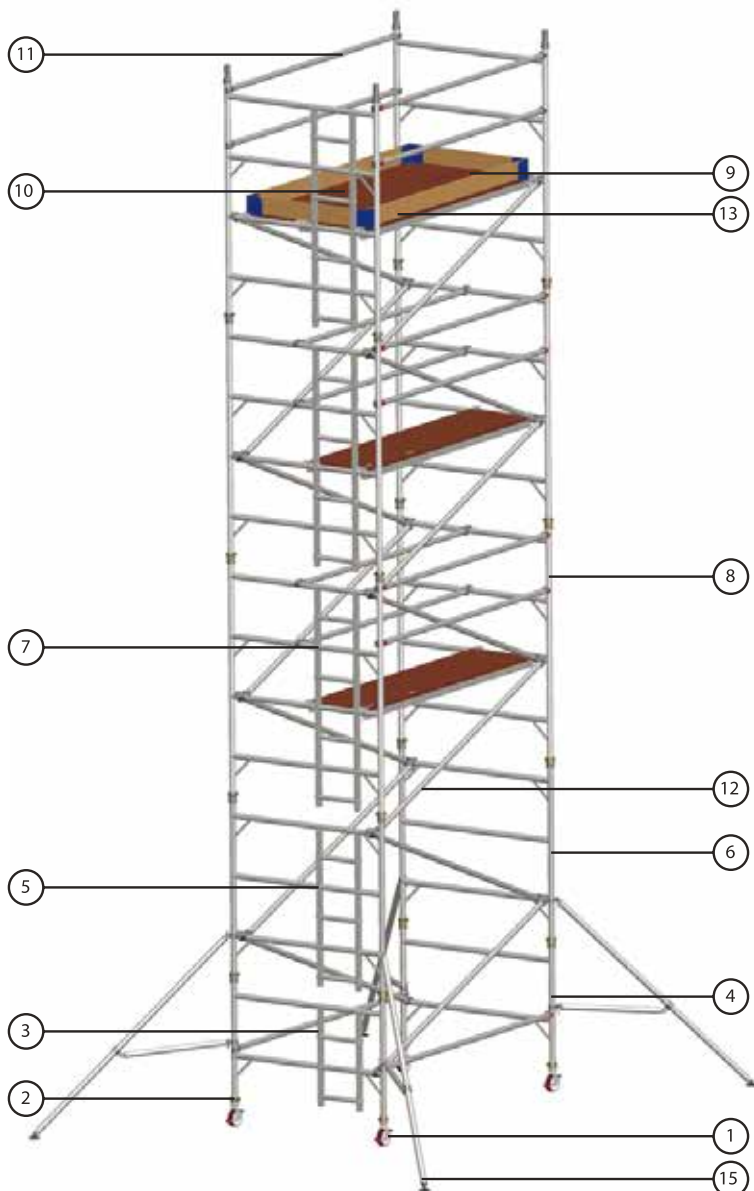
Technical Information

Base Dimensions:	(L)3.2m X (W)1.45m
Maximum Platform Height (ph):	7.2m
Maximum Working Height (wh):	9.2m
Maximum Working Load Per Platform:	275kg
Maximum Working Load Per Tower: (including tower weight)	950kg
Weight:	309kg

Double Width Tower
3.2m Long x 1.45m wide

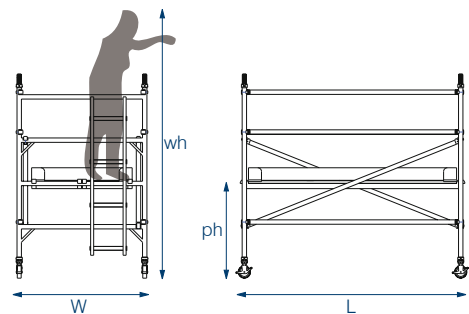
Working Height
9.7m

Platform Height
7.7m



Tower Components

Item	Description	Quantity
1	150mm Locking Castor	4
2	Adjustable Leg 500mm	4
3	2 rung Ladder Frame	1
4	2 rung Span Frame	1
5	3 rung Ladder Frame	1
6	3 rung Span Frame	1
7	4 rung Ladder Frame	3
8	4 rung Span Frame	3
9	3.2m Trapdoor Platforms	3
10	3.2m Standard Platforms	1
11	3.2m Horizontal Brace	14
12	3.5m Diagonal Brace	14
13	Complete Toe Board Set	1
14	Standard Stabilisers	0
15	Jumbo Stabilisers	4
16	Instruction Manual & BSEN1004 certificate of conformity	1



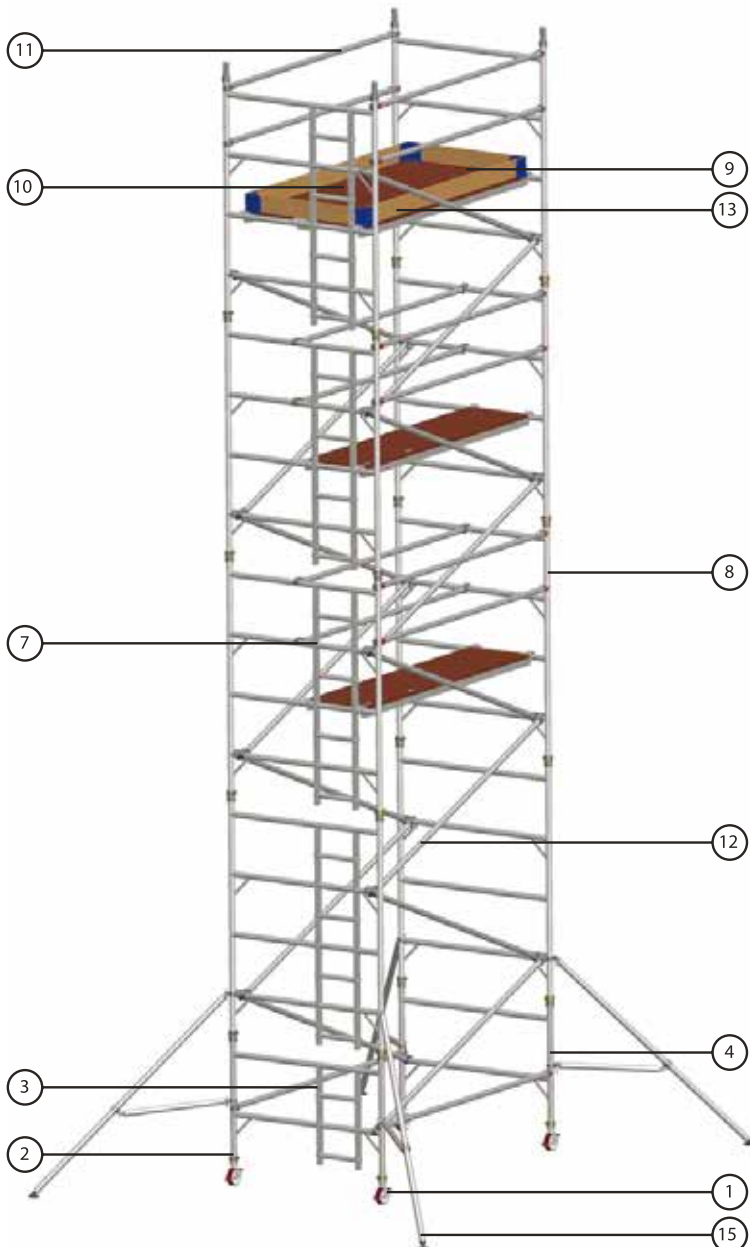
Technical Information

Base Dimensions:	(L)3.2m X (W)1.45m
Maximum Platform Height (ph):	7.7m
Maximum Working Height (wh):	9.7m
Maximum Working Load Per Platform:	275kg
Maximum Working Load Per Tower: (including tower weight)	950kg
Weight:	310kg

Double Width Tower
3.2m Long x 1.45m wide

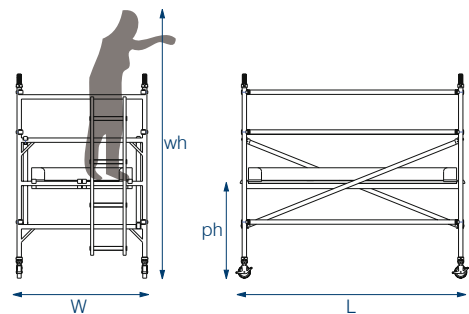
Working Height
10.2m

Platform Height
8.2m



Tower Components

Item	Description	Quantity
1	150mm Locking Castor	4
2	Adjustable Leg 500mm	4
3	2 rung Ladder Frame	1
4	2 rung Span Frame	1
5	3 rung Ladder Frame	0
6	3 rung Span Frame	0
7	4 rung Ladder Frame	4
8	4 rung Span Frame	4
9	3.2m Trapdoor Platforms	3
10	3.2m Standard Platforms	1
11	3.2m Horizontal Brace	14
12	3.5m Diagonal Brace	15
13	Complete Toe Board Set	1
14	Standard Stabilisers	0
15	Jumbo Stabilisers	4
16	Instruction Manual & BSEN1004 certificate of conformity	1



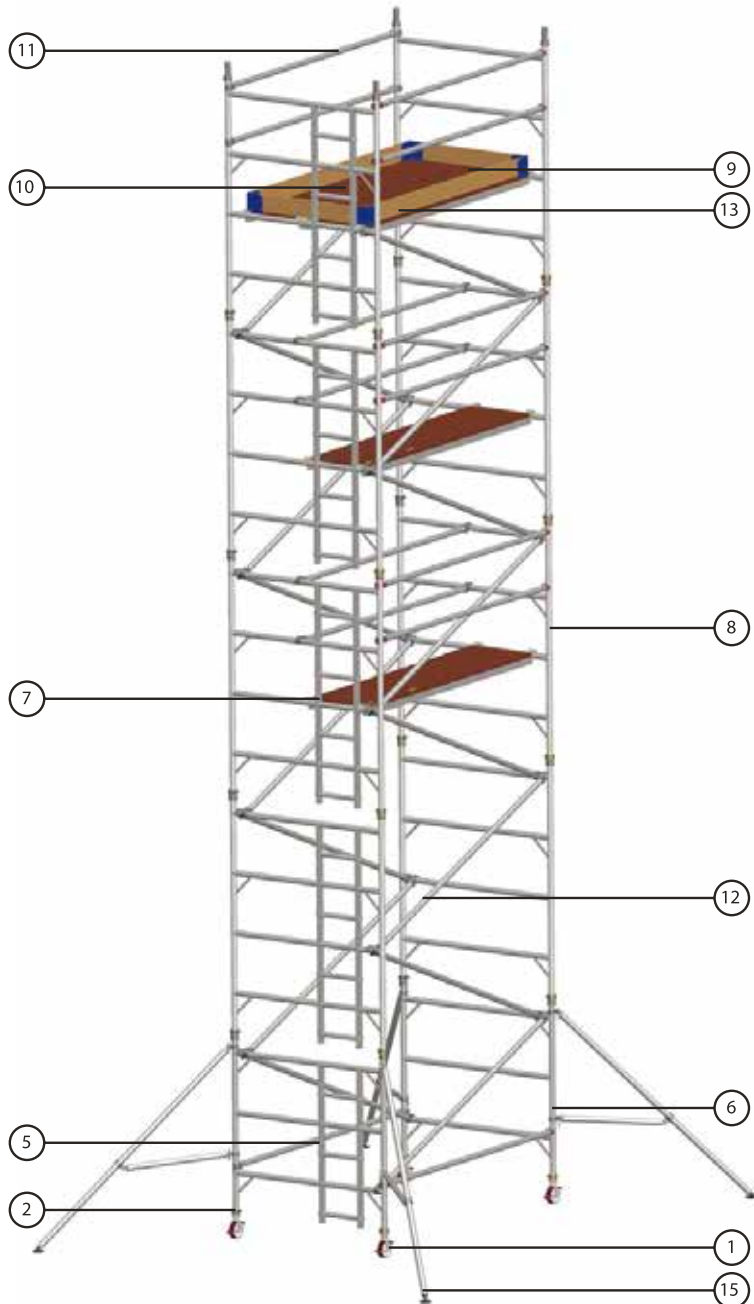
Technical Information

Base Dimensions:	(L)3.2m X (W)1.45m
Maximum Platform Height (ph):	8.2m
Maximum Working Height (wh):	10.2m
Maximum Working Load Per Platform:	275kg
Maximum Working Load Per Tower: (including tower weight)	950kg
Weight:	325kg

Double Width Tower
3.2m Long x 1.45m wide

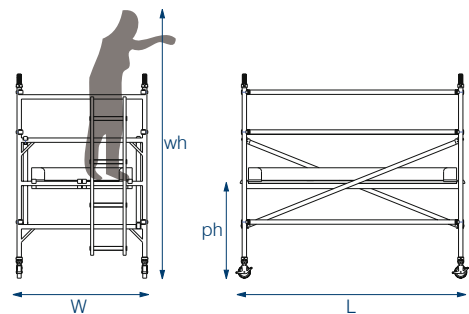
Working Height
10.7m

Platform Height
8.7m



Tower Components

Item	Description	Quantity
1	150mm Locking Castor	4
2	Adjustable Leg 500mm	4
3	2 rung Ladder Frame	0
4	2 rung Span Frame	0
5	3 rung Ladder Frame	1
6	3 rung Span Frame	1
7	4 rung Ladder Frame	4
8	4 rung Span Frame	4
9	3.2m Trapdoor Platforms	3
10	3.2m Standard Platforms	1
11	3.2m Horizontal Brace	14
12	3.5m Diagonal Brace	16
13	Complete Toe Board Set	1
14	Standard Stabilisers	0
15	Jumbo Stabilisers	4
16	Instruction Manual & BSEN1004 certificate of conformity	1



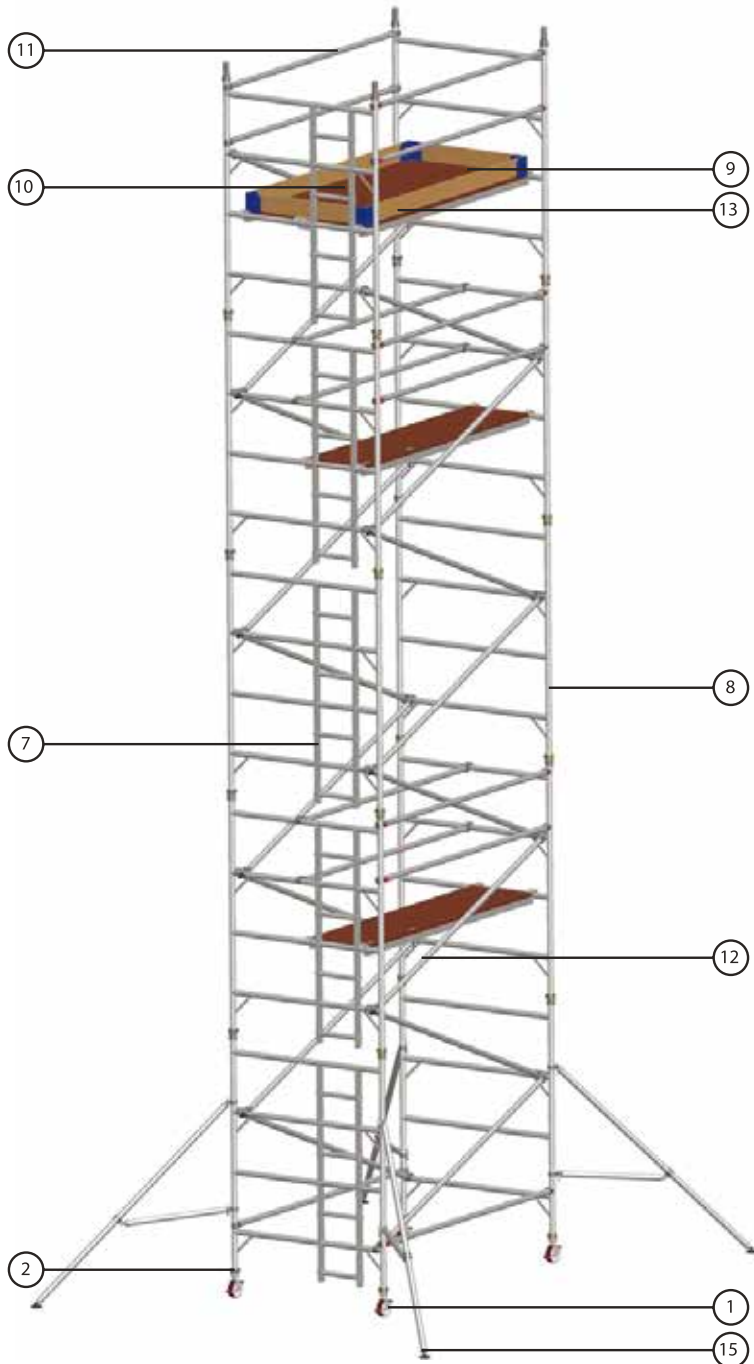
Technical Information

Base Dimensions:	(L)3.2m X (W)1.45m
Maximum Platform Height (ph):	8.7m
Maximum Working Height (wh):	10.7m
Maximum Working Load Per Platform:	275kg
Maximum Working Load Per Tower: (including tower weight)	950kg
Weight:	357kg

Double Width Tower
3.2m Long x 1.45m wide

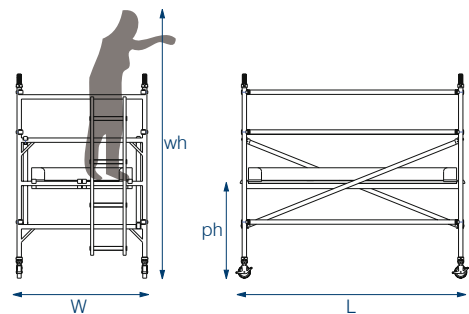
Working Height
11.2m

Platform Height
9.2m



Tower Components

Item	Description	Quantity
1	150mm Locking Castor	4
2	Adjustable Leg 500mm	4
3	2 rung Ladder Frame	0
4	2 rung Span Frame	0
5	3 rung Ladder Frame	0
6	3 rung Span Frame	0
7	4 rung Ladder Frame	5
8	4 rung Span Frame	5
9	3.2m Trapdoor Platforms	3
10	3.2m Standard Platforms	1
11	3.2m Horizontal Brace	14
12	3.5m Diagonal Brace	17
13	Complete Toe Board Set	1
14	Standard Stabilisers	0
15	Jumbo Stabilisers	4
16	Instruction Manual & BSEN1004 certificate of conformity	1



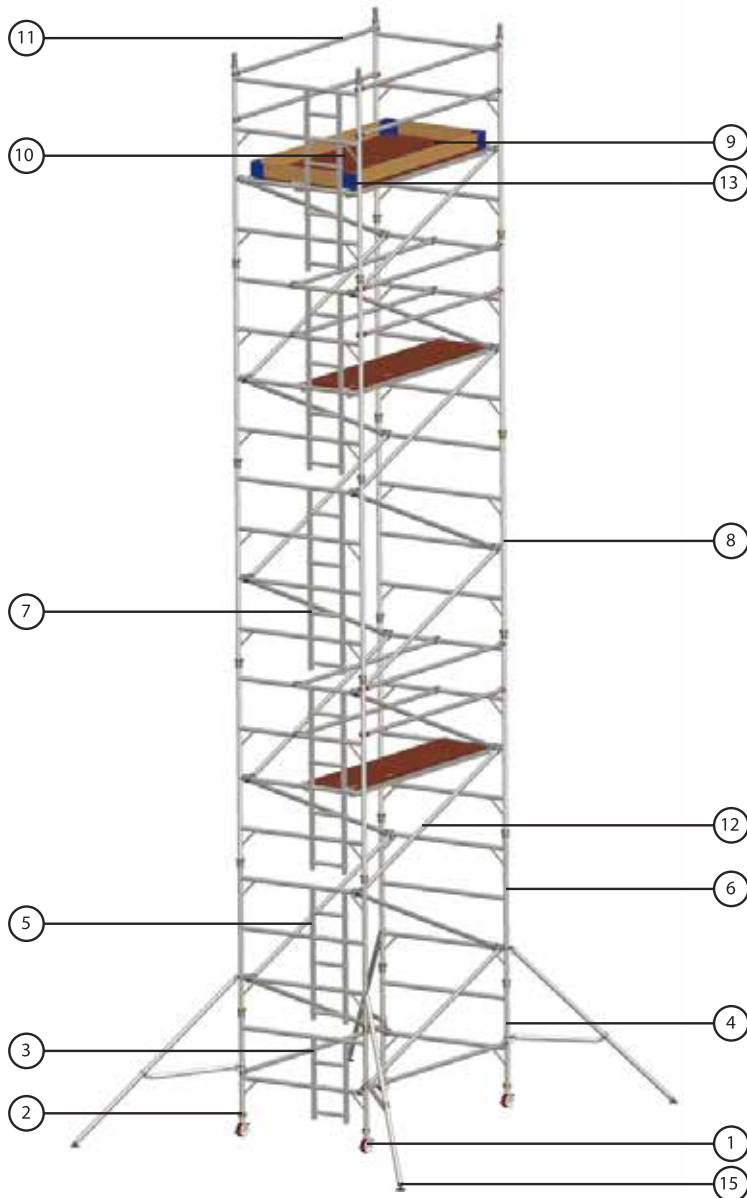
Technical Information

Base Dimensions:	(L)3.2m X (W)1.45m
Maximum Platform Height (ph):	9.2m
Maximum Working Height (wh):	11.2m
Maximum Working Load Per Platform:	275kg
Maximum Working Load Per Tower:	950kg
(including tower weight)	
Weight:	365kg

Double Width Tower
3.2m Long x 1.45m wide

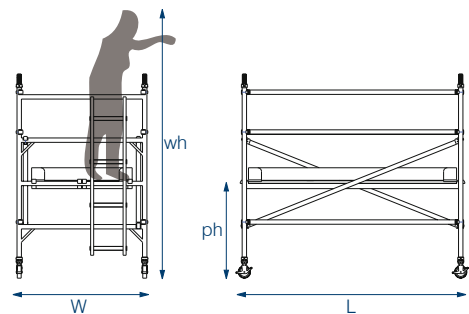
Working Height
11.7m

Platform Height
9.7m



Tower Components

Item	Description	Quantity
1	150mm Locking Castor	4
2	Adjustable Leg 500mm	4
3	2 rung Ladder Frame	1
4	2 rung Span Frame	1
5	3 rung Ladder Frame	1
6	3 rung Span Frame	1
7	4 rung Ladder Frame	4
8	4 rung Span Frame	4
9	3.2m Trapdoor Platforms	3
10	3.2m Standard Platforms	1
11	3.2m Horizontal Brace	14
12	3.5m Diagonal Brace	18
13	Complete Toe Board Set	1
14	Standard Stabilisers	0
15	Jumbo Stabilisers	4
16	Instruction Manual & BSEN1004 certificate of conformity	1



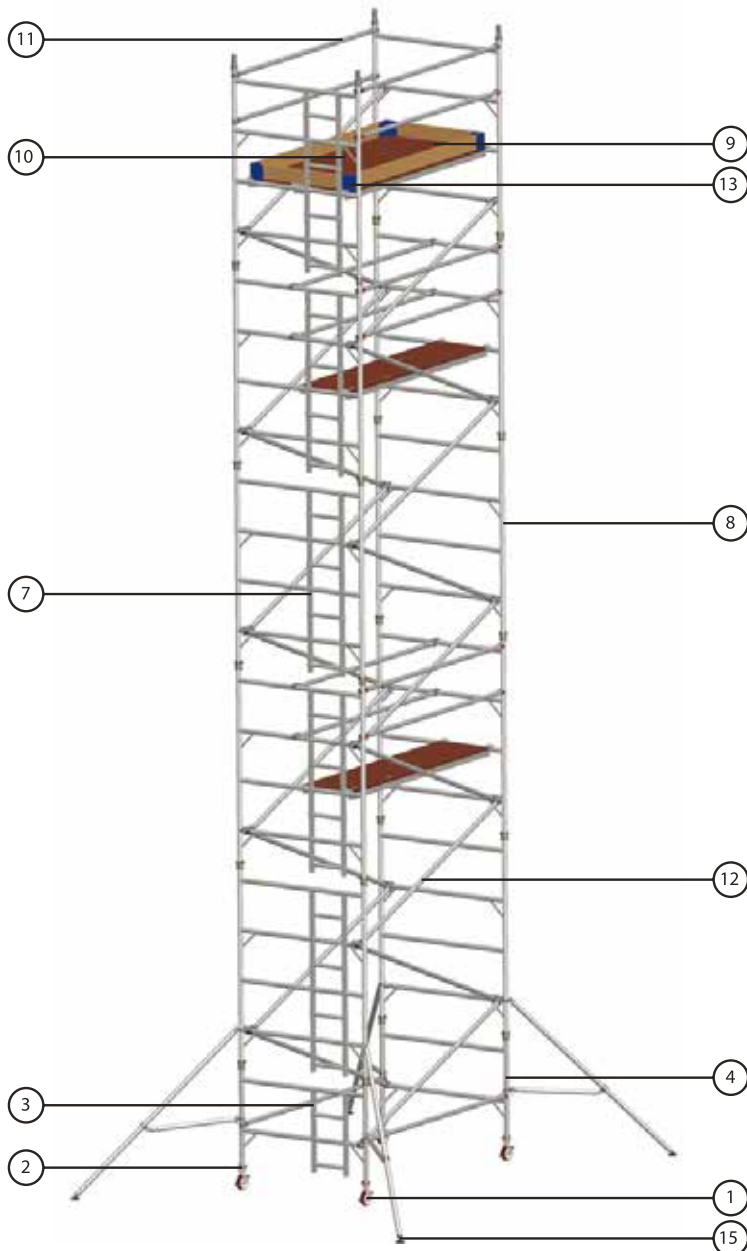
Technical Information

Base Dimensions:	(L)3.2m X (W)1.45m
Maximum Platform Height (ph):	9.7m
Maximum Working Height (wh):	11.7m
Maximum Working Load Per Platform:	275kg
Maximum Working Load Per Tower: (including tower weight)	950kg
Weight:	376kg

Double Width Tower
3.2m Long x 1.45m wide

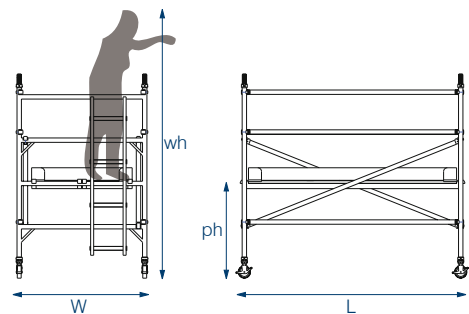
Working Height
12.2m

Platform Height
10.2m



Tower Components

Item	Description	Quantity
1	150mm Locking Castor	4
2	Adjustable Leg 500mm	4
3	2 rung Ladder Frame	1
4	2 rung Span Frame	1
5	3 rung Ladder Frame	0
6	3 rung Span Frame	0
7	4 rung Ladder Frame	5
8	4 rung Span Frame	5
9	3.2m Trapdoor Platforms	3
10	3.2m Standard Platforms	1
11	3.2m Horizontal Brace	14
12	3.5m Diagonal Brace	19
13	Complete Toe Board Set	1
14	Standard Stabilisers	0
15	Jumbo Stabilisers	4
16	Instruction Manual & BSEN1004 certificate of conformity	1



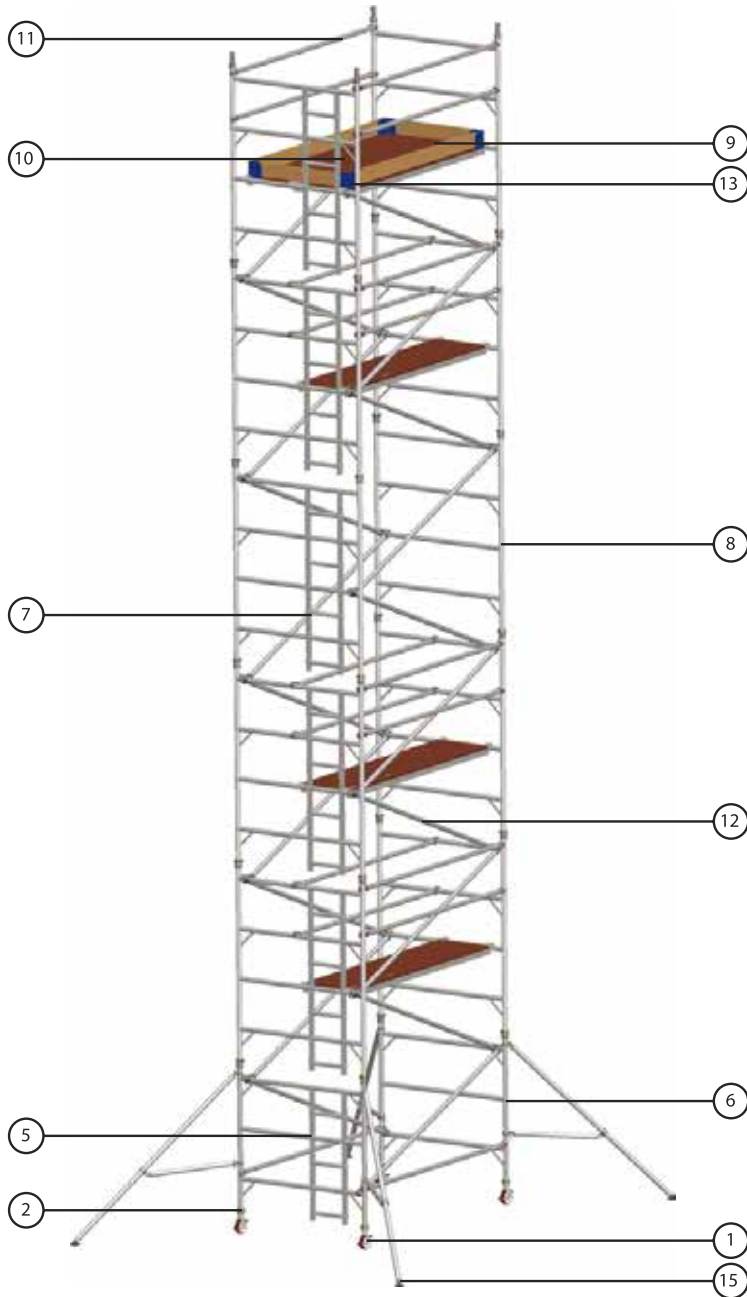
Technical Information

Base Dimensions:	(L)3.2m X (W)1.45m
Maximum Platform Height (ph):	10.2m
Maximum Working Height (wh):	12.2m
Maximum Working Load Per Platform:	275kg
Maximum Working Load Per Tower:	950kg
(including tower weight)	
Weight:	381kg

Double Width Tower
3.2m Long x 1.45m wide

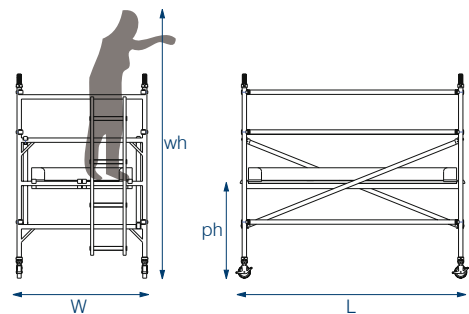
Working Height
12.7m

Platform Height
10.7m



Tower Components

Item	Description	Quantity
1	150mm Locking Castor	4
2	Adjustable Leg 500mm	4
3	2 rung Ladder Frame	0
4	2 rung Span Frame	0
5	3 rung Ladder Frame	1
6	3 rung Span Frame	1
7	4 rung Ladder Frame	5
8	4 rung Span Frame	5
9	3.2m Trapdoor Platforms	4
10	3.2m Standard Platforms	1
11	3.2m Horizontal Brace	18
12	3.5m Diagonal Brace	20
13	Complete Toe Board Set	1
14	Standard Stabilisers	0
15	Jumbo Stabilisers	4
16	Instruction Manual & BSEN1004 certificate of conformity	1



Technical Information

Base Dimensions:	(L)3.2m X (W)1.45m
Maximum Platform Height (ph):	10.7m
Maximum Working Height (wh):	12.7m
Maximum Working Load Per Platform:	275kg
Maximum Working Load Per Tower: (including tower weight)	950kg
Weight:	418kg

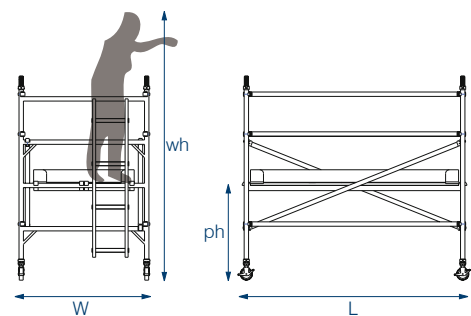
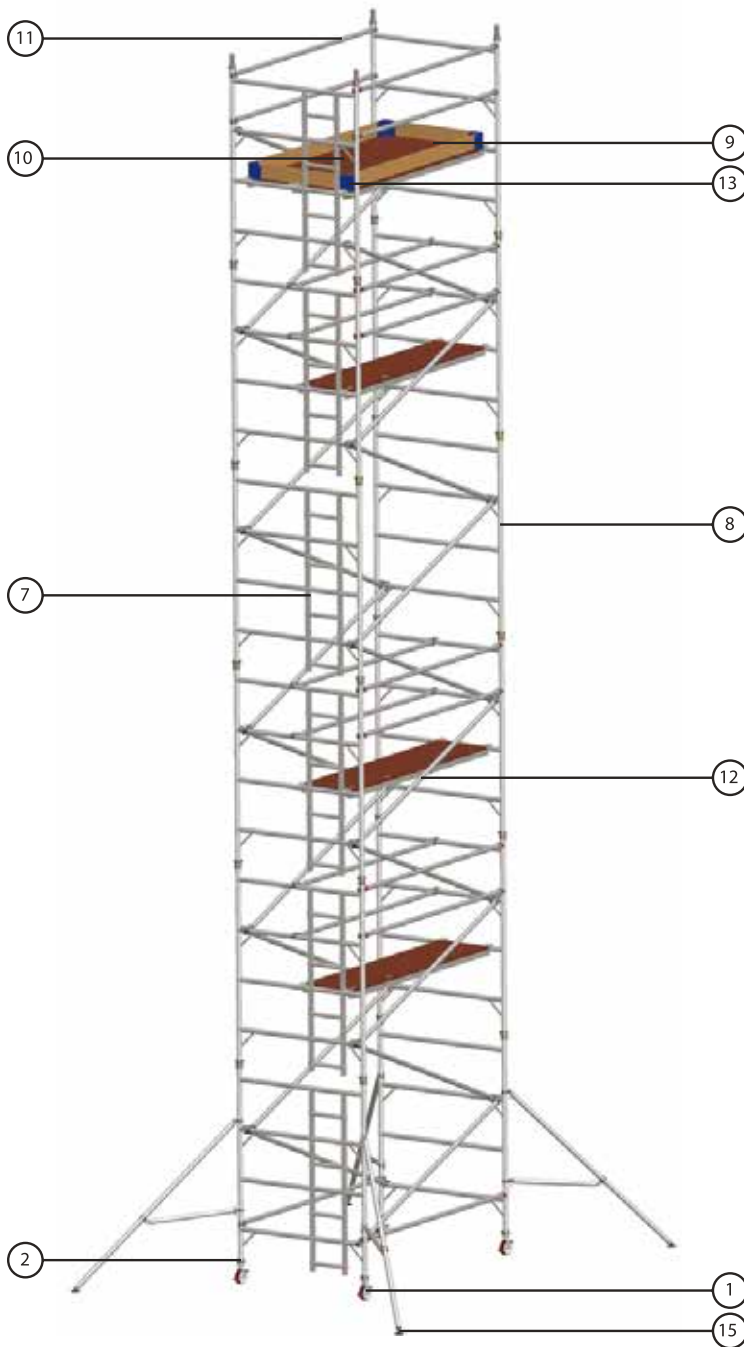
Double Width Tower
3.2m Long x 1.45m wide

Working Height
13.2m

Platform Height
11.2m

Tower Components

Item	Description	Quantity
1	150mm Locking Castor	4
2	Adjustable Leg 500mm	4
3	2 rung Ladder Frame	1
4	2 rung Span Frame	1
5	3 rung Ladder Frame	0
6	3 rung Span Frame	0
7	4 rung Ladder Frame	6
8	4 rung Span Frame	6
9	3.2m Trapdoor Platforms	4
10	3.2m Standard Platforms	1
11	3.2m Horizontal Brace	18
12	3.5m Diagonal Brace	21
13	Complete Toe Board Set	1
14	Standard Stabilisers	0
15	Jumbo Stabilisers	4
16	Instruction Manual & BSEN1004 certificate of conformity	1



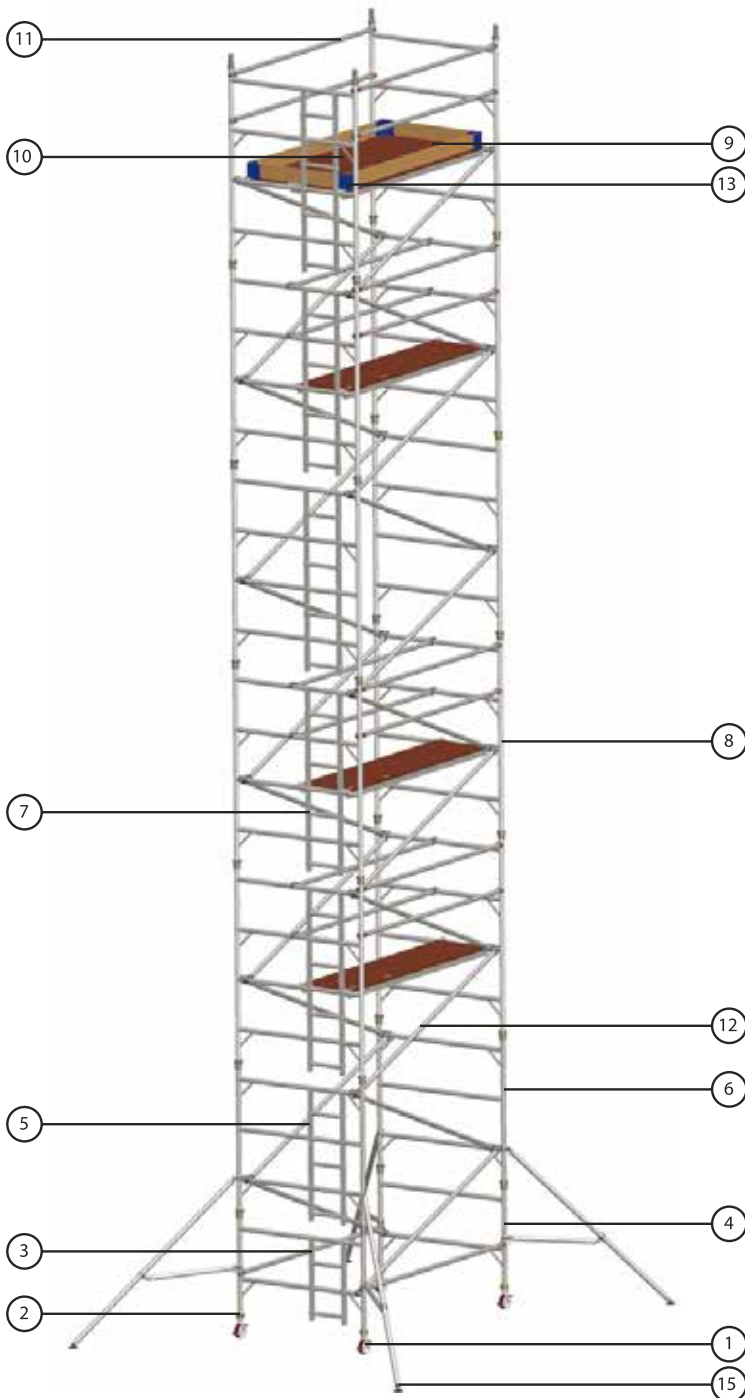
Technical Information

Base Dimensions:	(L)3.2m X (W)1.45m
Maximum Platform Height (ph):	11.2m
Maximum Working Height (wh):	13.2m
Maximum Working Load Per Platform:	275kg
Maximum Working Load Per Tower:	950kg
(including tower weight)	
Weight:	426kg

Double Width Tower
3.2m Long x 1.45m wide

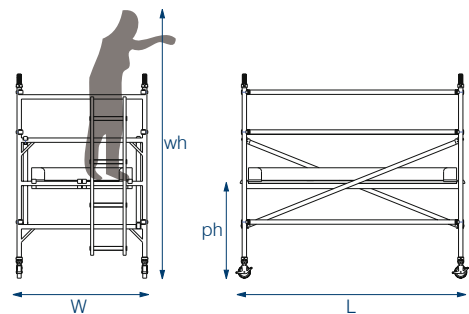
Working Height
13.7m

Platform Height
11.7m



Tower Components

Item	Description	Quantity
1	150mm Locking Castor	4
2	Adjustable Leg 500mm	4
3	2 rung Ladder Frame	1
4	2 rung Span Frame	1
5	3 rung Ladder Frame	1
6	3 rung Span Frame	1
7	4 rung Ladder Frame	5
8	4 rung Span Frame	5
9	3.2m Trapdoor Platforms	4
10	3.2m Standard Platforms	1
11	3.2m Horizontal Brace	18
12	3.5m Diagonal Brace	22
13	Complete Toe Board Set	1
14	Standard Stabilisers	0
15	Jumbo Stabilisers	4
16	Instruction Manual & BSEN1004 certificate of conformity	1



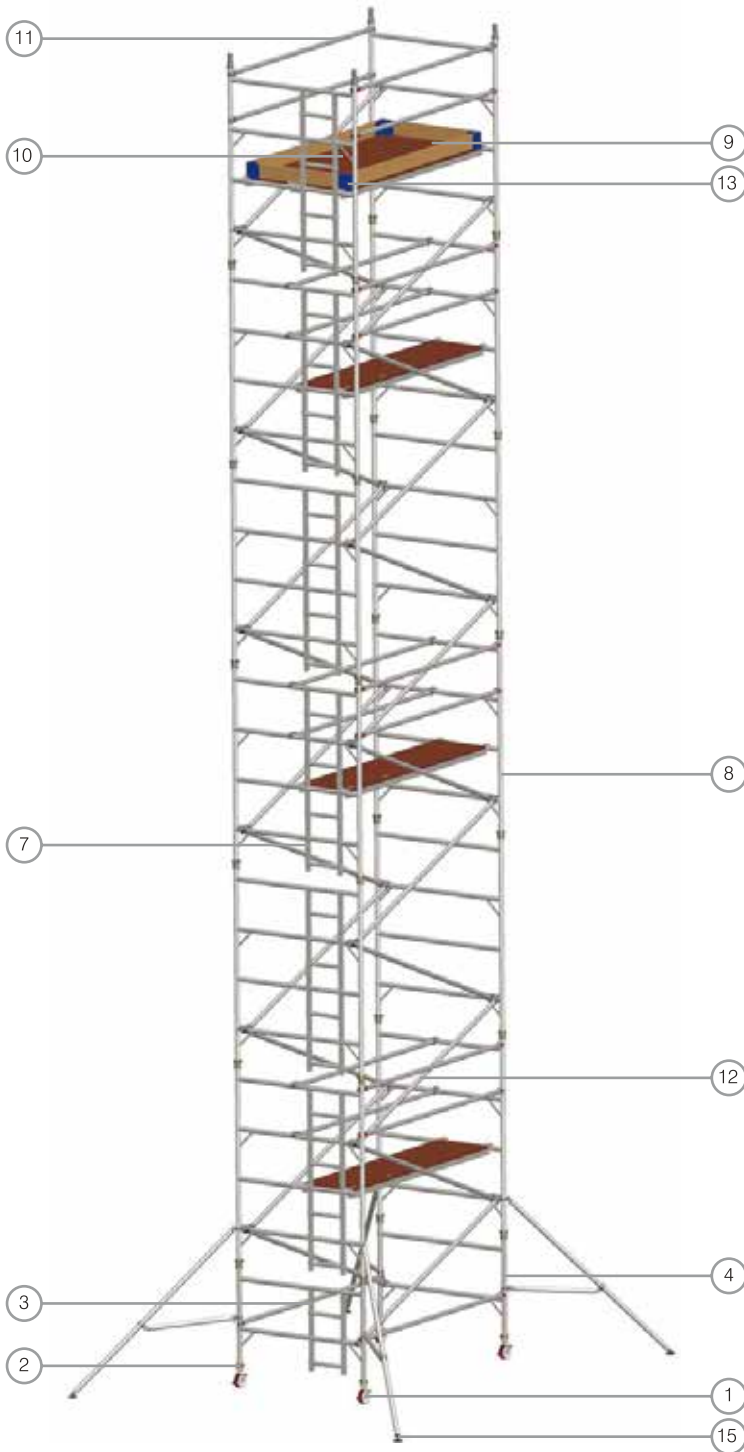
Technical Information

Base Dimensions:	(L)3.2m X (W)1.45m
Maximum Platform Height (ph):	11.7m
Maximum Working Height (wh):	13.7m
Maximum Working Load Per Platform:	275kg
Maximum Working Load Per Tower: (including tower weight)	950kg
Weight:	434kg

Double Width Tower
3.2m Long x 1.45m wide

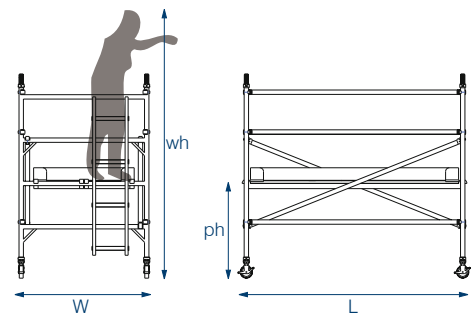
Working Height
14.2m

Platform Height
12.2m



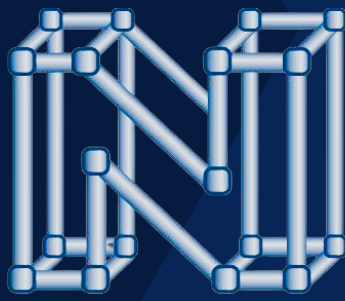
Tower Components

Item	Description	Quantity
1	150mm Locking Castor	4
2	Adjustable Leg 500mm	4
3	2 rung Ladder Frame	1
4	2 rung Span Frame	1
5	3 rung Ladder Frame	0
6	3 rung Span Frame	0
7	4 rung Ladder Frame	6
8	4 rung Span Frame	6
9	3.2m Trapdoor Platforms	4
10	3.2m Standard Platforms	1
11	3.2m Horizontal Brace	18
12	3.5m Diagonal Brace	23
13	Complete Toe Board Set	1
14	Standard Stabilisers	0
15	Jumbo Stabilisers	4
16	Instruction Manual & BSEN1004 certificate of conformity	1



Technical Information

Base Dimensions:	(L)3.2m X (W)1.45m
Maximum Platform Height (ph):	12.2m
Maximum Working Height (wh):	14.2m
Maximum Working Load Per Platform:	275kg
Maximum Working Load Per Tower:	950kg
(including tower weight)	
Weight:	442kg



NORSCAFF

SCAFFOLDING & ACCESS

FOLDING TOWERS



Trade Folding Towers (Miniscaff)

Trade Folding Tower
1.8m Long x 0.78m Wide

Working Height:
2.6m

Platform Height:
0.6m

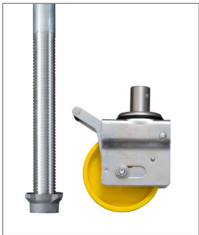


Tower Components

Item	Description	Quantity
1	Folding Base Unit	1
2	1m Extension Frames	0
3	1.5m Extension Frames	0
4	1.8m Long Trap Door Platform	1
5	1.8m Red Horizontal Braces	2
6	2.1m Blue Diagonal Braces	0
7	Folding Toe Board Set	0
8	Standard Stabilisers	0

Technical Information

Base Dimensions:	(L)1.8m X (W)0.78m
Maximum Platform Height (ph):	0.6m
Maximum Working Height (wh):	2.6m
Platform SWL:	275kg



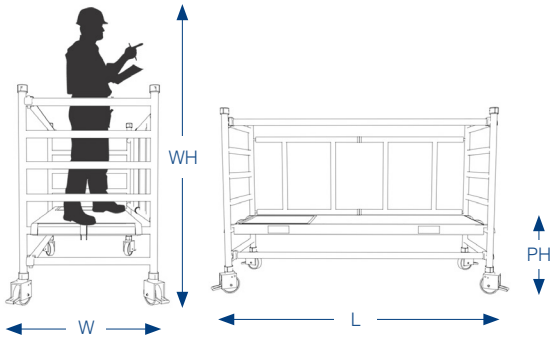
Upgraded Wheels & Legs

This will provide 250mm adjustment on each leg for uneven grounds, with 150mm Locking Castors.



Standard Castors

These are 125mm lockable castors, which are fixed for flat grounds.



Trade Folding Towers (Miniscaff)

Trade Folding Tower
1.8m Long x 0.78m Wide

Working Height:
3.6m

Platform Height:
1.6m

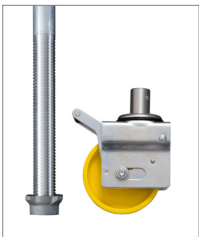


Tower Components

Item	Description	Quantity
1	Folding Base Unit	1
2	1m Extension Frames	2
3	1.5m Extension Frames	0
4	1.8m Long Trap Door Platform	1
5	1.8m Red Horizontal Braces	5
6	2.1m Blue Diagonal Braces	1
7	Folding Toe Board Set	1
8	Standard Stabilisers	0

Technical Information

Base Dimensions:	(L)1.8m X (W)0.78m
Maximum Platform Height (ph):	1.6m
Maximum Working Height (wh):	3.6m
Platform SWL:	275kg



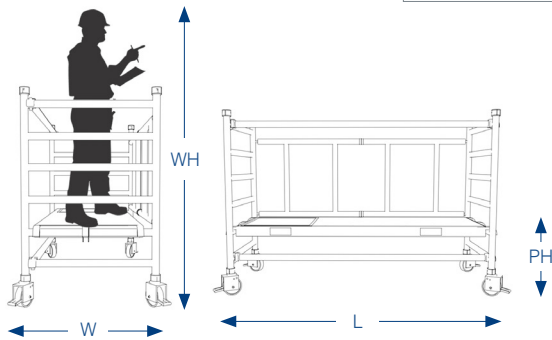
Upgraded Wheels & Legs

This will provide 250mm adjustment on each leg for uneven grounds, with 150mm Locking Castors.



Standard Castors

These are 125mm lockable castors, which are fixed for flat grounds.

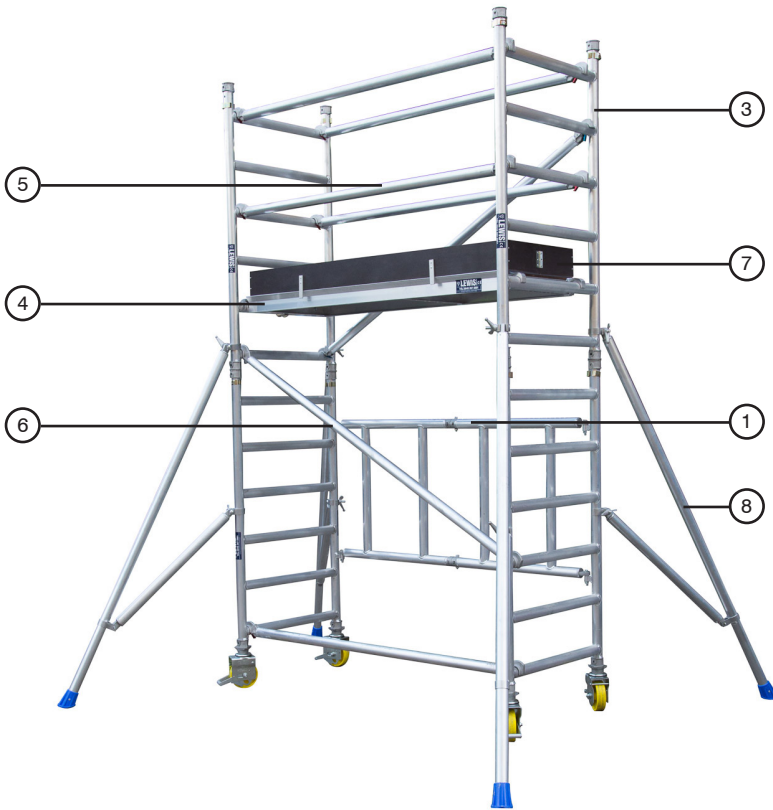


Trade Folding Towers (Miniscaff)

Trade Folding Tower
1.8m Long x 0.78m Wide

Working Height:
4.1m

Platform Height:
2.1m

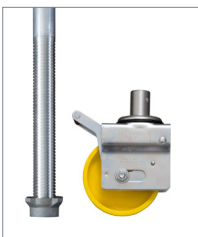


Tower Components

Item	Description	Quantity
1	Folding Base Unit	1
2	1m Extension Frames	0
3	1.5m Extension Frames	2
4	1.8m Long Trap Door Platform	1
5	1.8m Red Horizontal Braces	5
6	2.1m Blue Diagonal Braces	1
7	Folding Toe Board Set	1
8	Standard Stabilisers	4

Technical Information

Base Dimensions:	(L)1.8m X (W)0.78m
Maximum Platform Height (ph):	2.1m
Maximum Working Height (wh):	4.1m
Platform SWL:	275kg



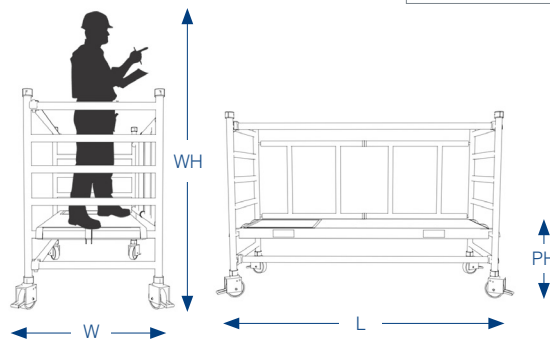
Upgraded Wheels & Legs

This will provide 250mm adjustment on each leg for uneven grounds, with 150mm Locking Castors.



Standard Castors

These are 125mm lockable castors, which are fixed for flat grounds.

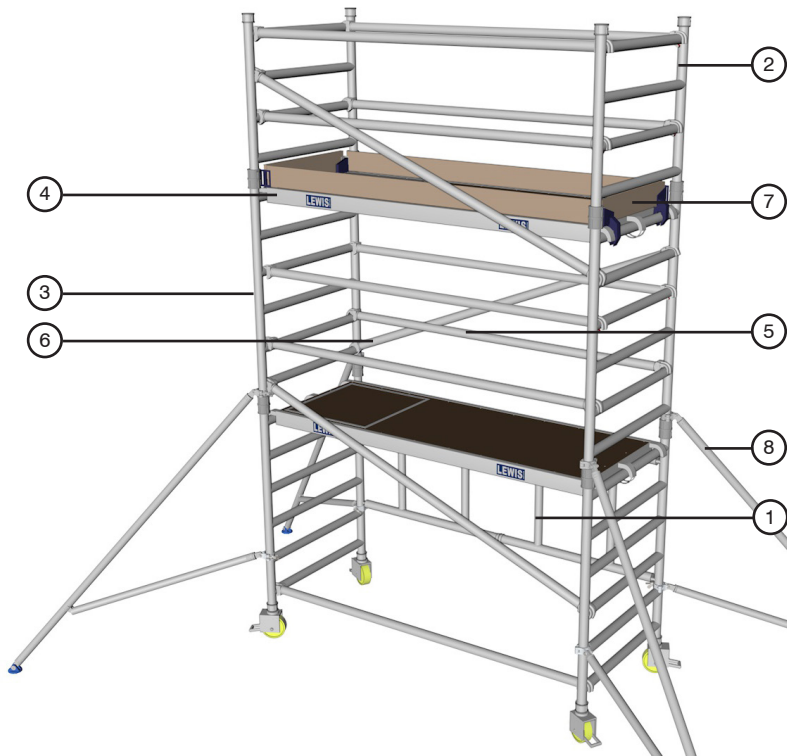


Trade Folding Towers (Miniscaff)

Trade Folding Tower
1.8m Long x 0.78m Wide

Working Height:
5.1m

Platform Height:
3.1m

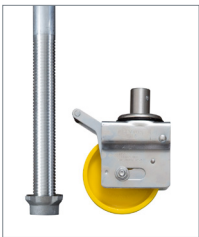


Tower Components

Item	Description	Quantity
1	Folding Base Unit	1
2	1m Extension Frames	2
3	1.5m Extension Frames	2
4	1.8m Long Trap Door Platform	2
5	1.8m Red Horizontal Braces	6
6	2.1m Blue Diagonal Braces	3
7	Folding Toe Board Set	1
8	Standard Stabilisers	4

Technical Information

Base Dimensions:	(L)1.8m X (W)0.78m
Maximum Platform Height (ph):	3.1m
Maximum Working Height (wh):	5.1m
Platform SWL:	275kg



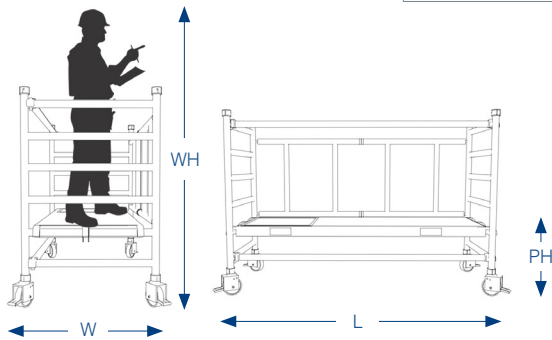
Upgraded Wheels & Legs

This will provide 250mm adjustment on each leg for uneven grounds, with 150mm Locking Castors.



Standard Castors

These are 125mm lockable castors, which are fixed for flat grounds.

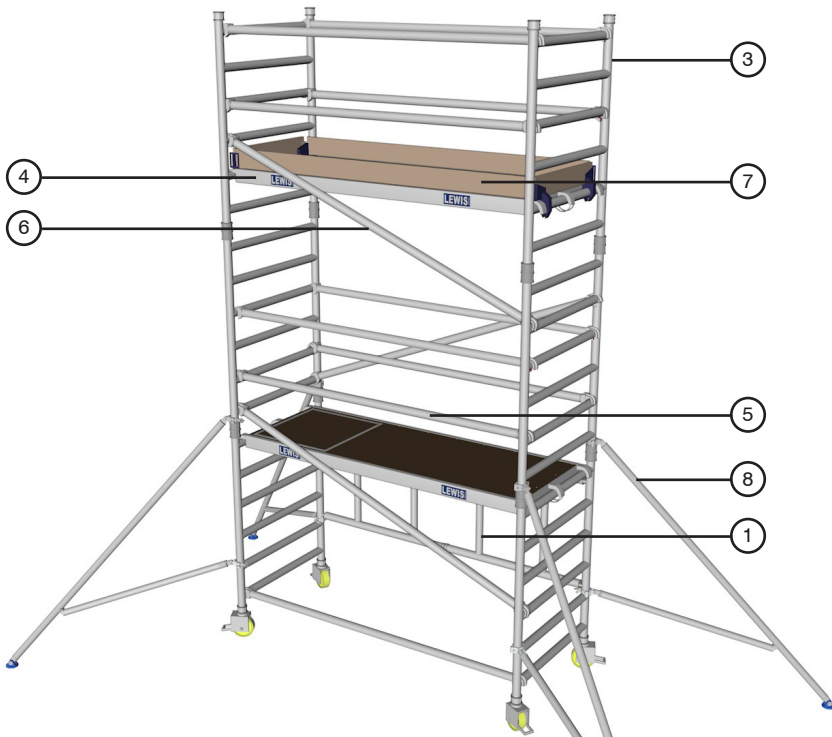


Trade Folding Towers (Miniscaff)

Trade Folding Tower
1.8m Long x 0.78m Wide

Working Height:
5.6m

Platform Height:
3.6m

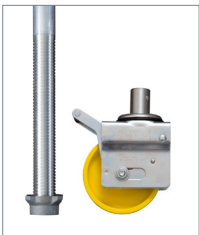


Tower Components

Item	Description	Quantity
1	Folding Base Unit	1
2	1m Extension Frames	0
3	1.5m Extension Frames	4
4	1.8m Long Trap Door Platform	2
5	1.8m Red Horizontal Braces	6
6	2.1m Blue Diagonal Braces	3
7	Folding Toe Board Set	1
8	Standard Stabilisers	4

Technical Information

Base Dimensions:	(L)1.8m X (W)0.78m
Maximum Platform Height (ph):	3.6m
Maximum Working Height (wh):	5.6m
Platform SWL:	275kg



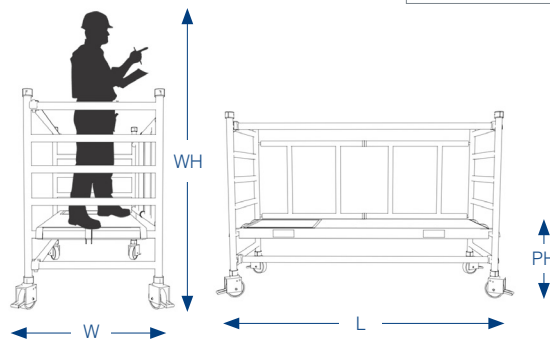
Upgraded Wheels & Legs

This will provide 250mm adjustment on each leg for uneven grounds, with 150mm Locking Castors.



Standard Castors

These are 125mm lockable castors, which are fixed for flat grounds.

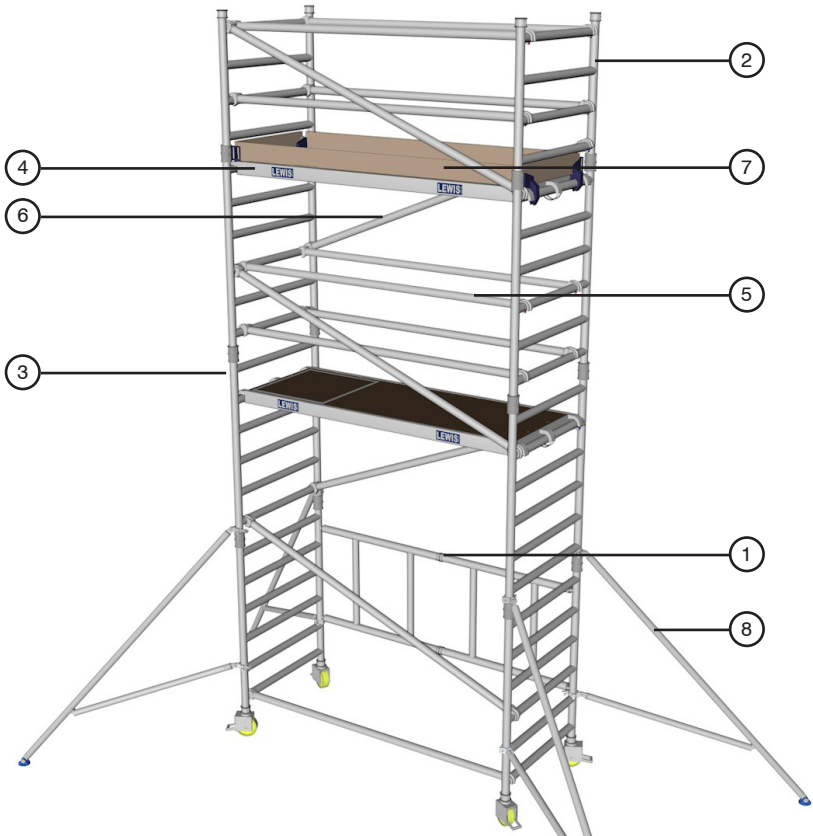


Trade Folding Towers (Miniscaff)

Trade Folding Tower
1.8m Long x 0.78m Wide

Working Height:
6.6m

Platform Height:
4.6m

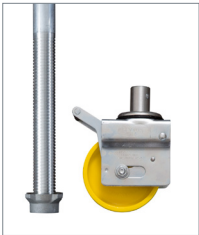


Tower Components

Item	Description	Quantity
1	Folding Base Unit	1
2	1m Extension Frames	2
3	1.5m Extension Frames	4
4	1.8m Long Trap Door Platform	2
5	1.8m Red Horizontal Braces	7
6	2.1m Blue Diagonal Braces	5
7	Folding Toe Board Set	1
8	Standard Stabilisers	4

Technical Information

Base Dimensions:	(L)1.8m X (W)0.78m
Maximum Platform Height (ph):	4.6m
Maximum Working Height (wh):	6.6m
Platform SWL:	275kg



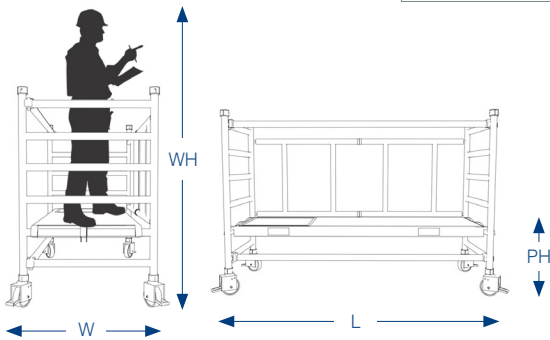
Upgraded Wheels & Legs

This will provide 250mm adjustment on each leg for uneven grounds, with 150mm Locking Castors.



Standard Castors

These are 125mm lockable castors, which are fixed for flat grounds.

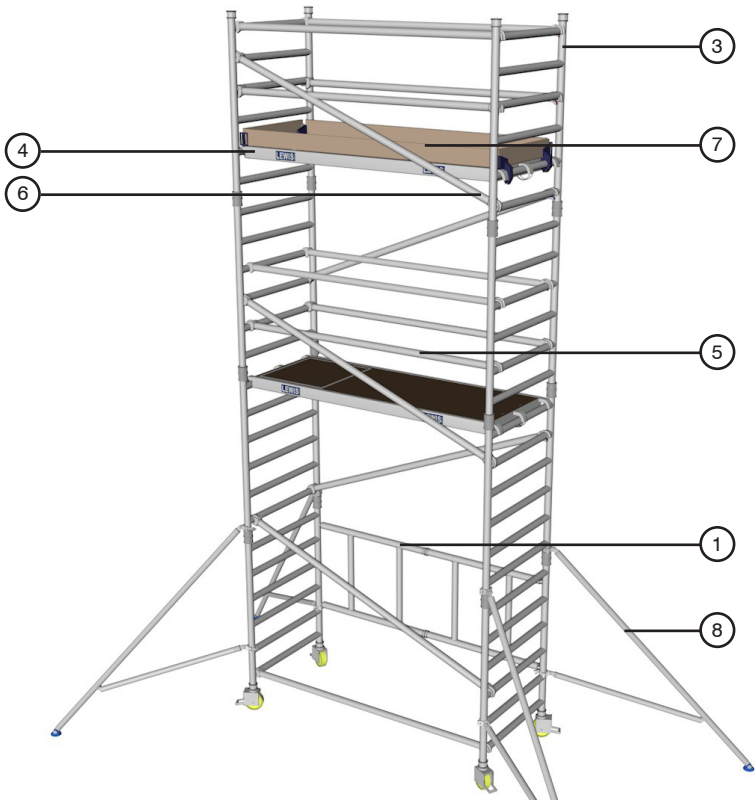


Trade Folding Towers (Miniscaff)

Trade Folding Tower
1.8m Long x 0.78m Wide

Working Height:
7.1m

Platform Height:
5.1m

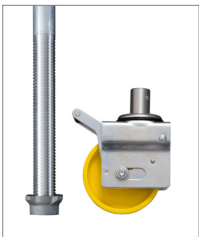


Tower Components

Item	Description	Quantity
1	Folding Base Unit	1
2	1m Extension Frames	0
3	1.5m Extension Frames	6
4	1.8m Long Trap Door Platform	2
5	1.8m Red Horizontal Braces	7
6	2.1m Blue Diagonal Braces	5
7	Folding Toe Board Set	1
8	Standard Stabilisers	4

Technical Information

Base Dimensions:	(L)1.8m X (W)0.78m
Maximum Platform Height (ph):	5.1m
Maximum Working Height (wh):	7.1m
Platform SWL:	275kg



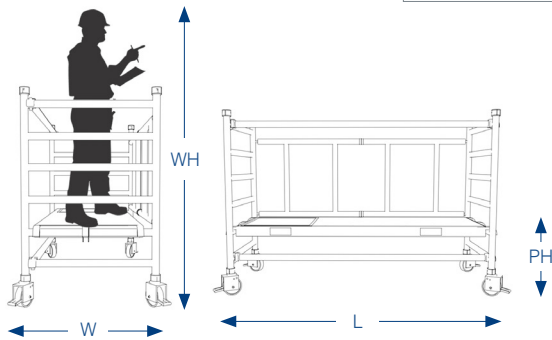
Upgraded Wheels & Legs

This will provide 250mm adjustment on each leg for uneven grounds, with 150mm Locking Castors.



Standard Castors

These are 125mm lockable castors, which are fixed for flat grounds.

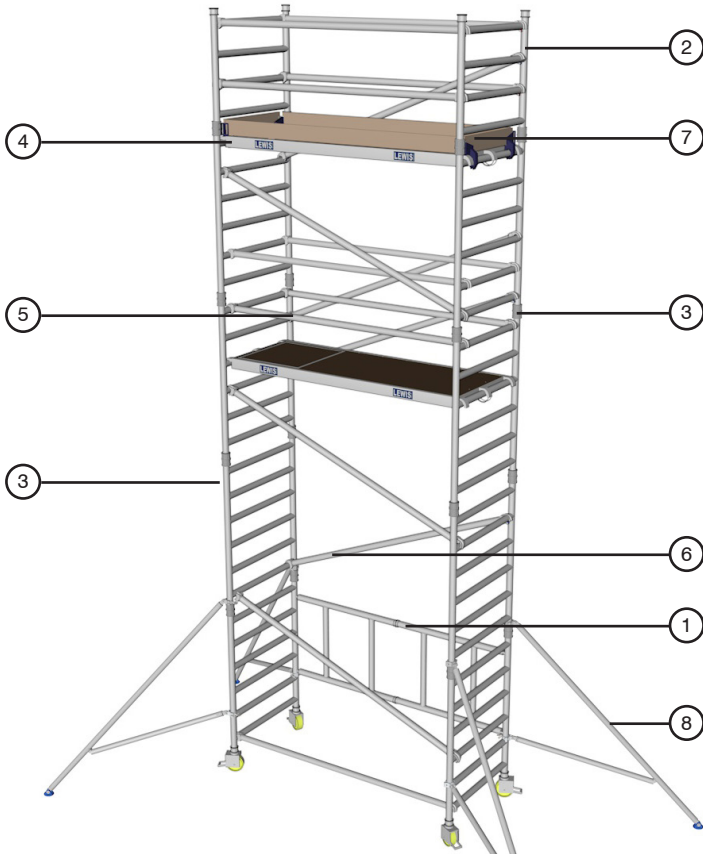


Trade Folding Towers (Miniscaff)

Trade Folding Tower
1.8m Long x 0.78m Wide

Working Height:
8.1m

Platform Height:
6.1m

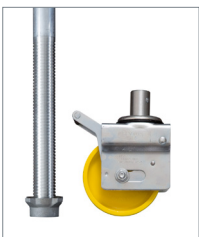


Tower Components

Item	Description	Quantity
1	Folding Base Unit	1
2	1m Extension Frames	2
3	1.5m Extension Frames	6
4	1.8m Long Trap Door Platform	2
5	1.8m Red Horizontal Braces	8
6	2.1m Blue Diagonal Braces	7
7	Folding Toe Board Set	1
8	Standard Stabilisers	4

Technical Information

Base Dimensions:	(L)1.8m X (W)0.78m
Maximum Platform Height (ph):	6.1m
Maximum Working Height (wh):	8.1m
Platform SWL:	275kg



Upgraded Wheels & Legs

This will provide 250mm adjustment on each leg for uneven grounds, with 150mm Locking Castors.



Standard Castors

These are 125mm lockable castors, which are fixed for flat grounds.

